

**ARCTIC
CAT[®]**

2006

Prowler XT

(Automatic Transmission)



Model Number U2006P2S4BUSR (Red)
Model Number U2006P2S4BUSG (Green)
Model Number U2006P2S4BUSZ (Cat Green)

Illustrated Parts Manual

TABLE OF CONTENTS

2006 Prowler XT

Red - (Model No. U2006P2S4BUSR)

Green - (Model No. U2006P2S4BUSG)

Cat Green - (Model No. U2006P2S4BUSZ)

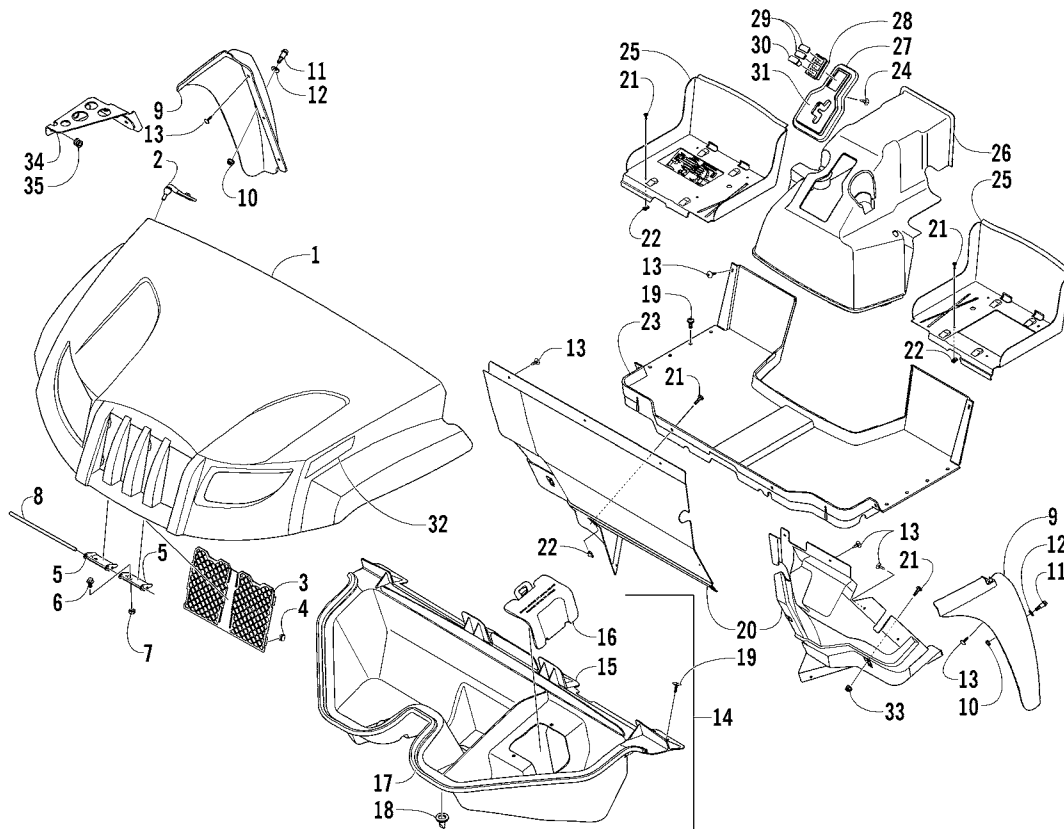
FRONT BODY PANEL ASSEMBLY	1
REAR BODY PANEL AND CARGO BOX ASSEMBLY	2
TAILGATE ASSEMBLY	3
DECALS	4
FRAME AND RELATED PARTS	5
CANOPY AND TAILLIGHT ASSEMBLY	6
TILT FRAME ASSEMBLY	7
SEAT, BATTERY, AND TOOL KIT ASSEMBLY	8
DASH ASSEMBLY	9
STEERING POST ASSEMBLY	10
FRONT SUSPENSION ASSEMBLY	11
REAR SUSPENSION ASSEMBLY	12
SWAY BAR ASSEMBLY	13
WHEEL AND TIRE ASSEMBLY	14
REAR AND PARKING BRAKE ASSEMBLY	15
HYDRAULIC BRAKE ASSEMBLY	16
ACCELERATOR ASSEMBLY	17
GAS TANK ASSEMBLY	18
SHIFTING ASSEMBLY	19
AIR INTAKE ASSEMBLY	20
ENGINE AND EXHAUST	21
COOLING ASSEMBLY	22
DRIVE TRAIN ASSEMBLY	23
FRONT DRIVE GEARCASE ASSEMBLY	24
REAR DRIVE GEARCASE ASSEMBLY	25
WIRING HARNESS ASSEMBLY	26
CARBURETOR	27
CYLINDER HEAD ASSEMBLY	28
CYLINDER ASSEMBLY	29
CRANKCASE ASSEMBLY	30
CLUTCH/V-BELT/MAGNETO COVER ASSEMBLY	31
CRANKSHAFT ASSEMBLY	32
STARTER CLUTCH ASSEMBLY	33
CRANK BALANCER ASSEMBLY	34
CAMSHAFT/VALVE ASSEMBLY	35
CAM CHAIN ASSEMBLY	36
OIL FILTER/PUMP ASSEMBLY	37
WATER PUMP ASSEMBLY	38
TRANSMISSION ASSEMBLY	39
SECONDARY TRANSMISSION ASSEMBLY	40
GEAR SHIFTING ASSEMBLY	41
SECONDARY DRIVE ASSEMBLY	42
STARTER MOTOR ASSEMBLY	43
MAGNETO ASSEMBLY	44
RELATED ITEMS	Back Cover

■ **NOTE:** The illustrations used in this Parts Manual are for reference to replacement part numbers only and are not to be used for assembly. For assembly procedures, use an Arctic Cat Service Manual. Underlined part numbers are new for the 2006 model year.

2005 Arctic Cat Inc.

Printed September 2005

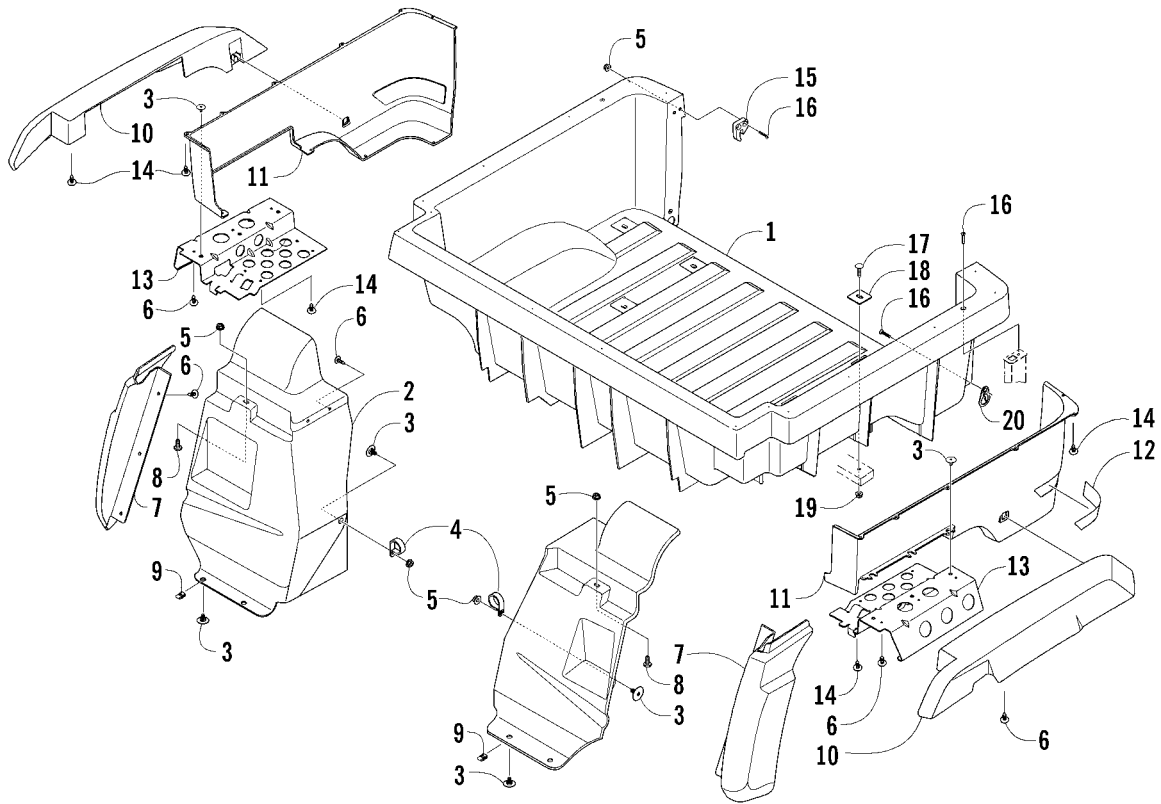
®™ Trademarks of Arctic Cat Inc., Thief River Falls, MN 56701



FRONT BODY PANEL ASSEMBLY

0740-344

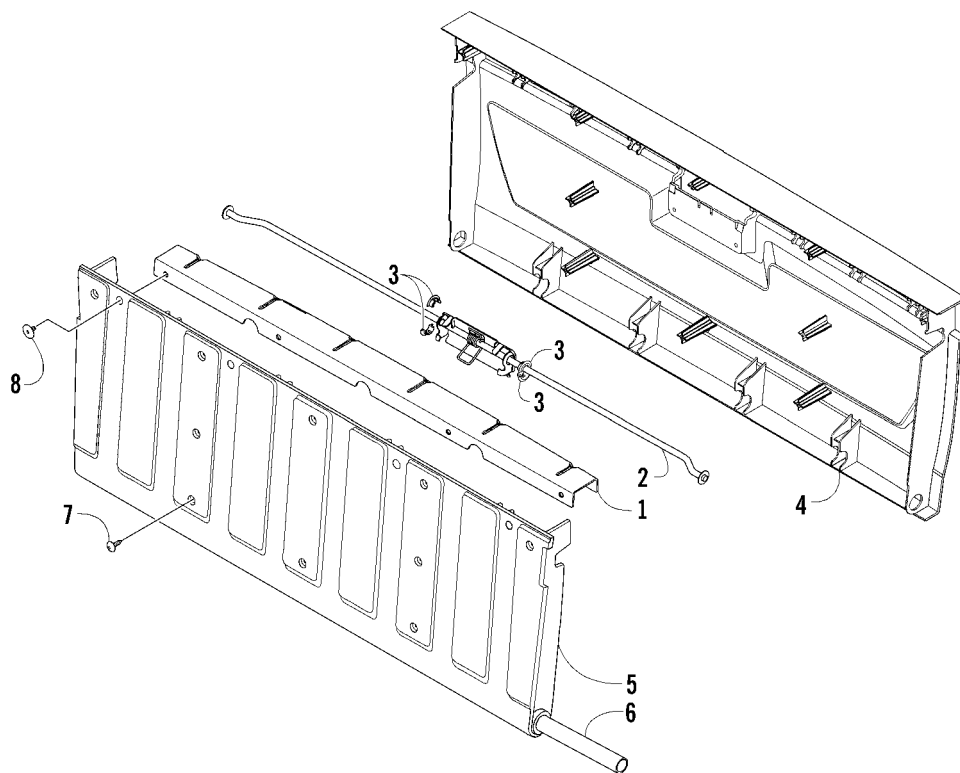
Ref.	Part No.	Qty.	Description	Ref.	Part No.	Qty.	Description
1	<u>1406-758</u>	1	Hood	16	<u>1406-944</u>	1	● Cover, Access - Master Cylinder
	<u>1406-732</u>	1	Hood (Green)	17	<u>1406-946</u>	1	● Seal, Storage Box
	<u>1406-759</u>	1	Hood (Cat Green)	18	0470-442	1	● Valve, Air Cleaner
2	2606-624	2	Strap, Hold-Down	19	<u>0423-545</u>	12	Screw Body - Self-Tapping
3	<u>1406-995</u>	1	Screen, Grille	20	<u>1406-632</u>	1	Panel, Fender - Inner - Left
	<u>1406-994</u>	1	Screen, Grille (Green)		<u>1406-633</u>	1	Panel, Fender - Inner - Right
	<u>1406-996</u>	1	Screen, Grille (Cat Green)	21	8468-620	8	Screw, Machine
4	0123-987	8	Clip, U	22	<u>0423-577</u>	4	Clip, U
5	<u>1506-798</u>	2	Bracket, Hood	23	<u>1406-634</u>	1	Floor
6	8408-020	4	Screw, Cap	24	0423-342	3	Screw, Self-Tapping
7	0423-157	4	Nut, Top-Lock	25	<u>1406-854</u>	1	Base, Seat - Right
8	<u>1406-915</u>	1	Pin, Hood		<u>1406-869</u>	1	Base, Seat - Left
9	<u>1406-792</u>	1	Fender, Front - Right	26	<u>1406-649</u>	1	Console, Center
	<u>1406-791</u>	1	Fender, Front - Left	27	<u>1406-825</u>	1	Gate, Shift
	<u>1406-730</u>	1	Fender, Front - Right (Green)	28	<u>0409-069</u>	1	Panel, Switch-Mount
	<u>1406-731</u>	1	Fender, Front - Left (Green)	29	<u>0409-070</u>	2	Plug, Switch-Hole
	<u>1406-798</u>	1	Fender, Front - Right (Cat Green)	30	<u>0409-071</u>	1	Switch, Reverse Override
	<u>1406-797</u>	1	Fender, Front - Left (Cat Green)	31	<u>1411-195</u>	1	Decal, Shift-Gate
10	1623-066	2	Nut, Lock	32	0411-818	1	Decal, Reflector - Front - Right
11	0623-855	2	Screw, Dome-Head Shoulder		0411-819	1	Decal, Reflector - Front - Left
12	8050-217	2	Washer	33	0423-540	1	Nut
13	0623-784	24	Screw, Self-Tapping	34	<u>2506-066</u>	1	Bracket, Support - Right
14	<u>1506-715</u>	1	Storage, Under-Hood - Assembly (inc. 15-18)		<u>2506-067</u>	1	Bracket, Support - Left
15	<u>1406-945</u>	1	● Box, Storage - Under-Hood	35	0423-447	2	Grommet



REAR BODY PANEL AND CARGO BOX ASSEMBLY

0740-361

Ref.	Part No.	Qty.	Description	Ref.	Part No.	Qty.	Description
1	<u>1406-763</u>	1	Box, Rear Cargo	11	<u>1406-988</u>	1	Panel, Box - Right
2	<u>2406-070</u>	1	Panel, Splash - Rear - Right		<u>1406-989</u>	1	Panel, Box - Left
	<u>2406-071</u>	1	Panel, Splash - Rear - Left		<u>1406-986</u>	1	Panel, Box - Right (Green)
3	0423-101	12	Screw, Body		<u>1406-987</u>	1	Panel, Box - Left (Green)
4	0423-403	2	Clamp, Tube		<u>1406-990</u>	1	Panel, Box - Right (Cat Green)
5	8424-602	8	Nut, Hex		<u>1406-991</u>	1	Panel, Box - Left (Cat Green)
6	0623-784	20	Screw, Self-Tapping	12	<u>1411-128</u>	1	Decal, Reflector - Rear - Right
7	<u>1406-796</u>	1	Fender, Rear - Lower - Right		<u>1411-129</u>	1	Decal, Reflector - Rear - Left
	<u>1406-795</u>	1	Fender, Rear - Lower - Left	13	<u>1506-776</u>	1	Bracket, Fender Support - Right
	<u>1406-810</u>	1	Fender, Rear - Lower - Right (Green)		<u>1506-777</u>	1	Bracket, Fender Support - Left
	<u>1406-809</u>	1	Fender, Rear - Lower - Left (Green)	14	0423-342	28	Screw, Self-Tapping
	<u>1406-802</u>	1	Fender, Rear - Lower - Right (Cat Green)	15	<u>1406-928</u>	1	Striker, Tailgate - Left
	<u>1406-801</u>	1	Fender, Rear - Lower - Left (Cat Green)		<u>1406-929</u>	1	Striker, Tailgate - Right
8	8476-616	2	Screw, Machine	16	8474-630	8	Screw, Machine
9	0423-577	4	Clip, U	17	0423-623	8	Bolt, Carriage
10	<u>1406-794</u>	1	Fender, Rear - Upper - Right	18	1506-933	8	Plate, Retainer
	<u>1406-793</u>	1	Fender, Rear - Upper - Left	19	8424-802	8	Nut, Hex
	<u>1406-728</u>	1	Fender, Rear - Upper - Right (Green)	20	1506-539	1	Bracket, Tailgate
	<u>1406-729</u>	1	Fender, Rear - Upper - Left (Green)				
	<u>1406-800</u>	1	Fender, Rear - Upper - Right (Cat Green)				
	<u>1406-799</u>	1	Fender, Rear - Upper - Left (Cat Green)				

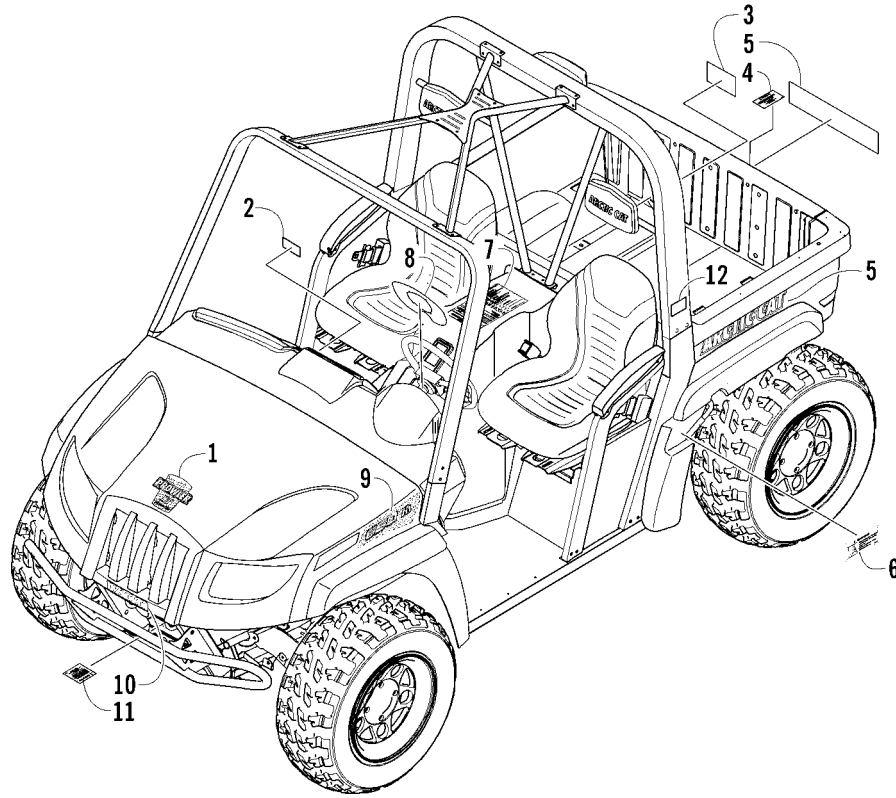


TAILGATE ASSEMBLY

(Complete Tailgate Assembly p/n 1506-620)

0740-601

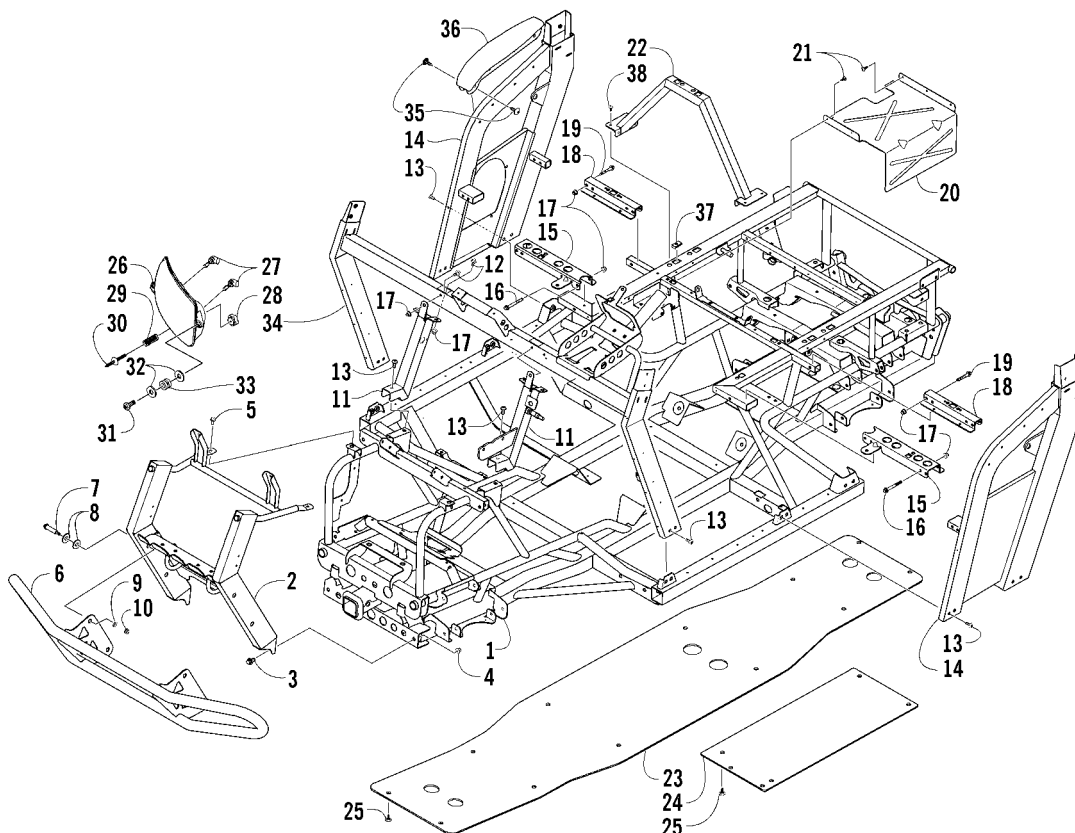
Ref.	Part No.	Qty.	Description	Ref.	Part No.	Qty.	Description
1	<u>1506-704</u>	1	Brace, Tailgate	5	<u>1406-769</u>	1	Panel, Tailgate - Inner
2	2506-056	1	Latch, Tailgate - Assembly	6	<u>1406-927</u>	1	Shaft, Pivot - Tailgate
3	1406-706	4	Bushing	7	0623-784	12	Screw, Self-Tapping
4	<u>1406-992</u>	1	Panel, Tailgate - Outer	8	0423-101	4	Screw, Body
	<u>1406-985</u>	1	Panel, Tailgate - Outer (Green)				
	<u>1406-993</u>	1	Panel, Tailgate - Outer (Cat Green)				



DECALS

0740-598

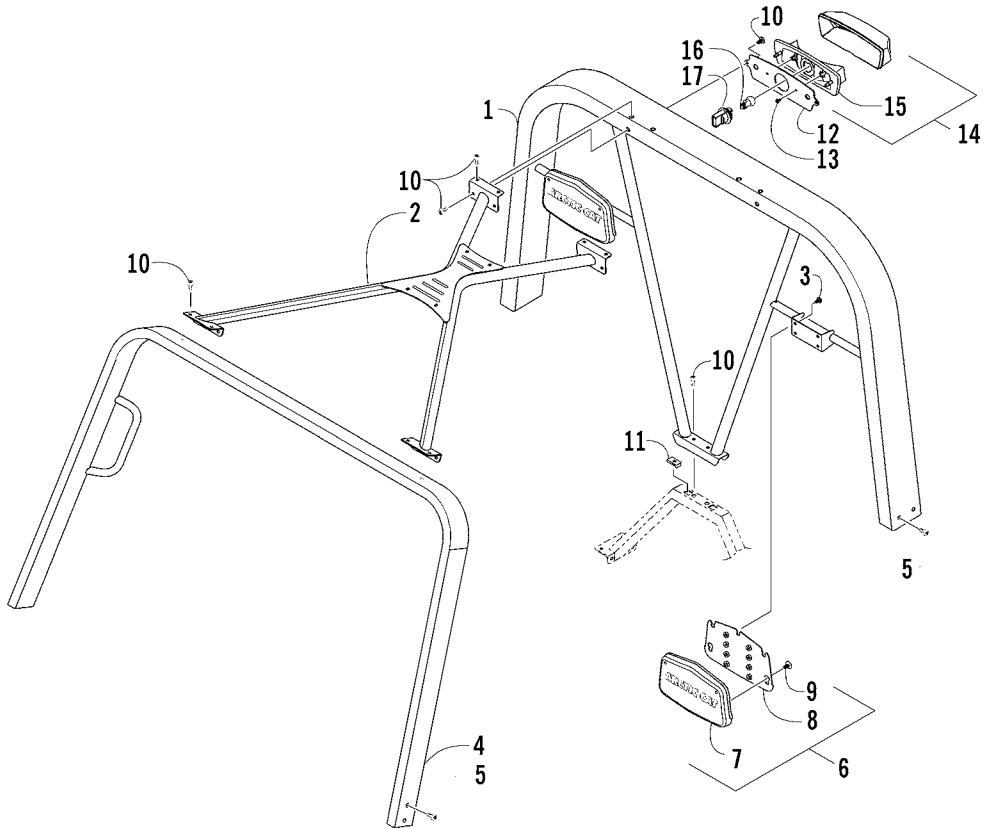
Ref.	Part No.	Qty.	Description	Ref.	Part No.	Qty.	Description
1	<u>1411-203</u>	1	Decal, Center	10	<u>1411-202</u>	1	Decal, Front - "Arctic Cat"
	<u>1411-156</u>	1	Decal, Center (Green)		<u>1411-145</u>	1	Decal, Front - "Arctic Cat" (Green)
	<u>1411-153</u>	1	Decal, Center (Cat Green)		<u>1411-155</u>	1	Decal, Front - "Arctic Cat" (Cat Green)
2	<u>1411-124</u>	1	Decal, Warning - Differential Lock	11	<u>1411-122</u>	1	Decal, Warning - Towing - Front
3	<u>1411-119</u>	1	Decal, Warning - Cargo	12	<u>1411-295</u>	1	Decal, Warning - Canopy
4	<u>1411-123</u>	1	Decal, Warning - Towing - Rear				
5	<u>1411-157</u>	3	Decal, Box - "Arctic Cat"				
6	<u>1411-120</u>	1	Decal, Warning - Pinch Point				
7	<u>1411-126</u>	1	Decal, Warning - Console				
8	<u>1411-125</u>	1	Decal, Warning - Dash				
9	<u>1411-204</u>	1	Decal, "650 H1" - Right				
	<u>1411-205</u>	1	Decal, "650 H1" - Left				
	<u>1411-196</u>	1	Decal, "650 H1" - Right (Green)				
	<u>1411-197</u>	1	Decal, "650 H1" - Left (Green)				
	<u>1411-198</u>	1	Decal, "650 H1" - Right (Cat Green)				
	<u>1411-199</u>	1	Decal, "650 H1" - Left (Cat Green)				



FRAME AND RELATED PARTS

0740-331

Ref.	Part No.	Qty.	Description	Ref.	Part No.	Qty.	Description
1	1506-723	1	Frame, Main	19	8408-850	6	Screw, Cap
2	1506-453	1	Bumper	20	1406-753	1	Shield, Heat
3	8409-020	2	Screw, Cap	21	0623-784	5	Screw, Self-Tapping
4	8427-002	2	Nut, Flange Lock	22	1506-835	1	Support, Canopy
5	8476-820	2	Screw, Machine	23	1406-720	1	Panel, Belly
6	1506-672	1	Bumper	24	1406-721	1	Panel, Belly - Side
7	0423-505	4	Screw, Shoulder	25	0423-545	20	Screw, Body
8	8050-342	8	Washer	26	0509-034	1	Headlight Assembly - Right (inc. 27)
9	8051-277	4	Washer, Spring Lock		0509-035	1	Headlight Assembly - Left (inc. 27)
10	8424-802	4	Nut, Flange Lock	27	0409-055	4	● Bulb, Headlight
11	1506-797	1	Bracket, Steering Support - Right	28	0423-513	2	Knob, Adjuster
	0502-853	1	Bracket, Steering Support - Left	29	0423-522	2	Spring, Adjuster
12	8476-820	6	Screw, Machine	30	0423-514	2	Stud, Adjuster - Headlight
13	8468-820	14	Screw, Machine	31	0623-785	4	Screw, Self-Tapping
14	1506-774	1	Support, Overhead - Right	32	8050-217	8	Washer
	1506-775	1	Support, Overhead - Left	33	0423-447	4	Grommet
15	1506-844	1	Bracket, Seat - Support - Front Right	34	1506-796	1	Support, Steering
	1506-845	1	Bracket, Seat - Support - Front Left	35	0623-544	16	Plug
16	8408-870	6	Screw, Cap	36	1406-883	2	Pad, Armrest
17	8427-802	18	Nut, Flange Lock	37	0423-577	4	Clip, U
18	1506-842	2	Bracket, Seat - Support - Rear	38	8476-616	4	Screw, Machine

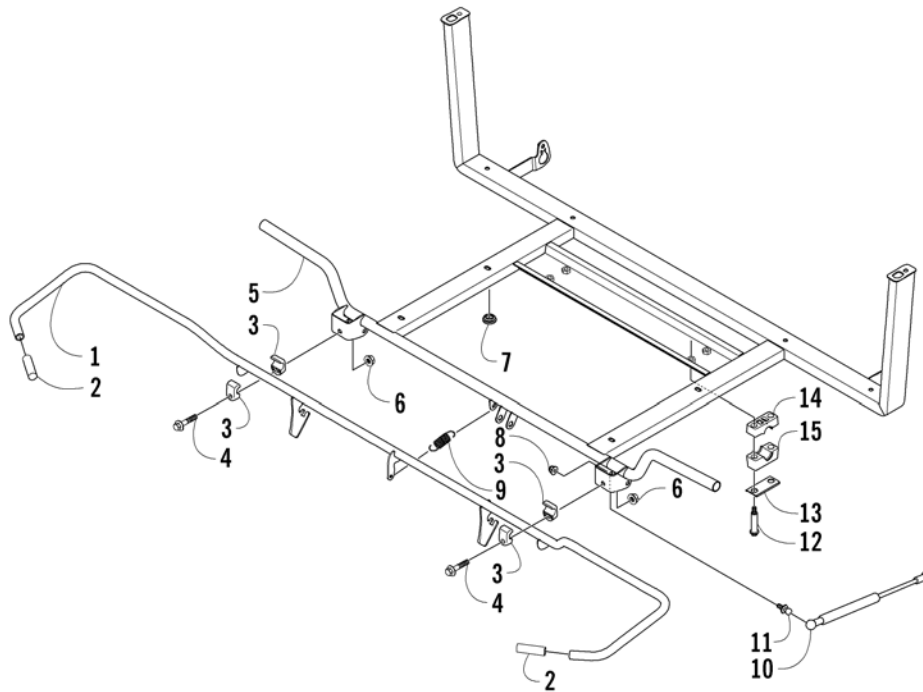


CANOPY AND TAILLIGHT ASSEMBLY

(Complete Canopy Assembly p/n 1506-794)

0740-381

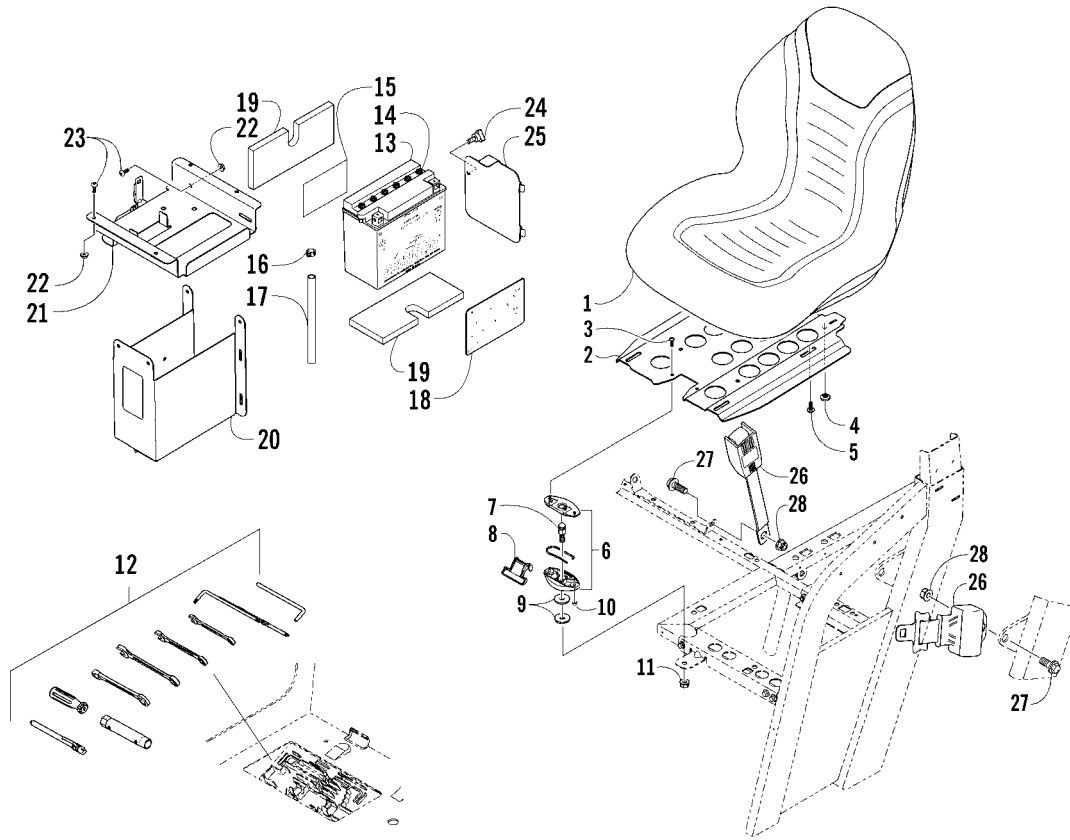
Ref.	Part No.	Qty.	Description	Ref.	Part No.	Qty.	Description
1	<u>1506-680</u>	1	Tube, Canopy - Rear	10	<u>0423-419</u>	18	Screw, Machine
2	<u>1506-713</u>	1	Support, Canopy	11	<u>0423-577</u>	2	Clip, U-Nut
3	<u>0423-361</u>	8	Screw, Machine	12	<u>2406-069</u>	1	Bracket, Taillight Mounting
4	<u>1506-665</u>	1	Tube, Canopy - Front	13	<u>0623-301</u>	2	Screw, Self-Tapping
5	<u>0423-642</u>	8	Screw, Machine	14	<u>0509-022</u>	1	Taillight Assembly (inc. 15-17)
6	<u>1506-795</u>	2	Pad, Headrest - Assembly (inc. 7-9)	15	<u>0509-025</u>	1	● Housing, Taillight
7	<u>1406-884</u>	2	● Pad, Headrest	16	<u>0409-056</u>	1	● Bulb, Taillight
8	<u>1506-722</u>	2	● Mount, Headrest	17	<u>0409-057</u>	1	● Socket, Taillight
9	<u>0623-544</u>	10	● Plug				



TILT FRAME ASSEMBLY

0740-367

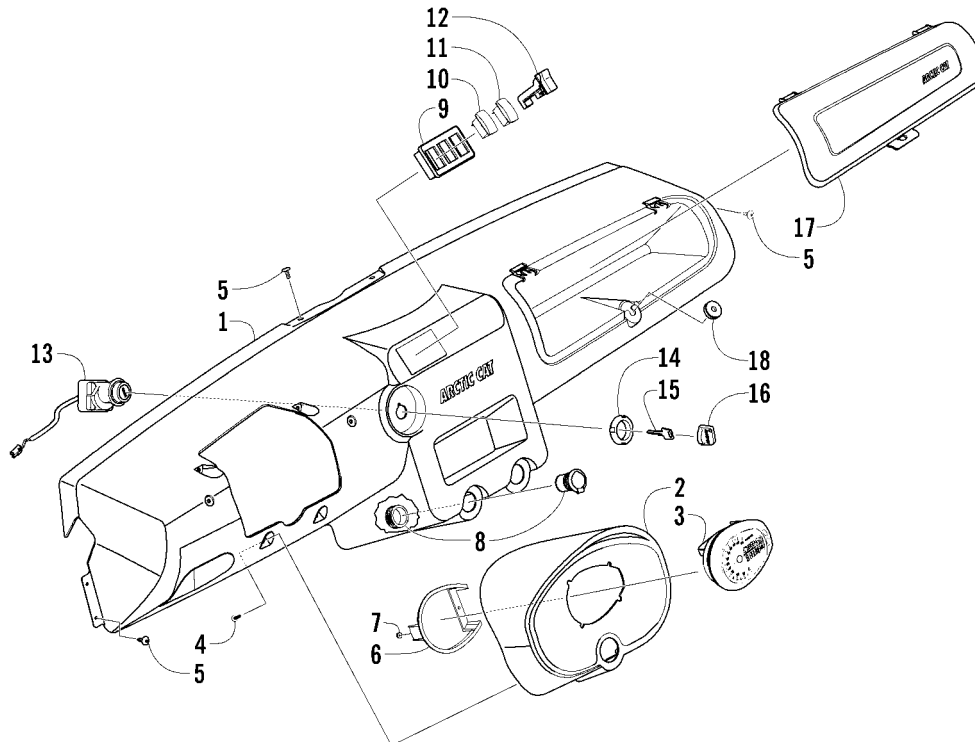
Ref.	Part No.	Qty.	Description	Ref.	Part No.	Qty.	Description
1	1506-669	1	Latch, Tilt Box	9	1612-178	1	Spring
2	1406-736	2	Grip, Latch Rod	10	0506-822	1	Support, Lift
3	1406-674	4	Bushing, Pivot	11	0423-401	2	Stud, Lift Support
4	8408-840	2	Screw, Cap	12	0423-505	4	Screw, Shoulder
5	1506-738	1	Frame, Box	13	0405-166	2	Cap, Housing
6	8424-802	2	Nut	14	0405-138	2	Housing, Lower
7	0423-628	4	Grommet	15	0405-139	2	Housing, Upper
8	8424-802	2	Nut, Flange				



SEAT, BATTERY, AND TOOL KIT ASSEMBLY

0740-365

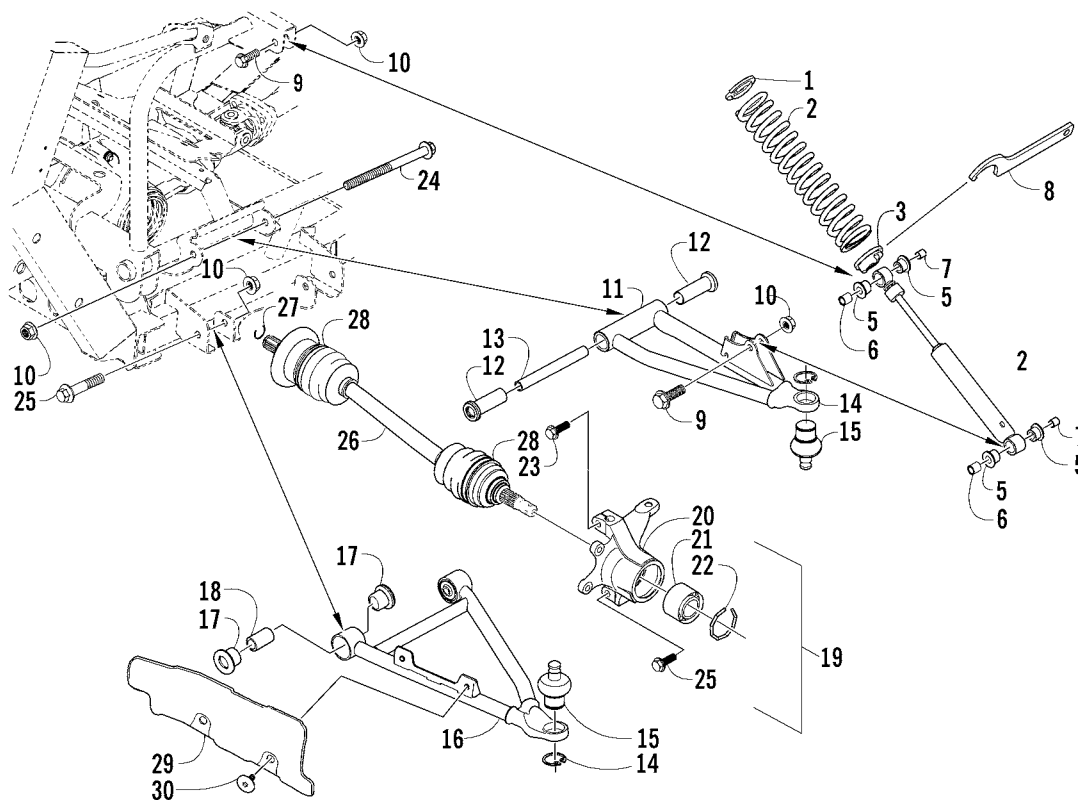
Ref.	Part No.	Qty.	Description	Ref.	Part No.	Qty.	Description
1	<u>1506-925</u>	2	Seat, Low-Back	15	0645-151	1	● Label, Warning - Battery
2	<u>1506-763</u>	2	Plate, Base - Seat	16	0645-152	1	● Clamp, Hose
3	8468-620	4	Screw, Machine	17	0645-263	1	● Hose, Battery Vent
4	0406-877	8	Bumper, Seat	18	0406-380	1	Pad, Battery
5	8468-820	8	Screw, Machine	19	0406-227	2	Pad, Battery
6	0506-685	2	Latch - Assembly	20	<u>1506-841</u>	1	Box, Battery
7	0423-559	2	Stud, Latch - Seat	21	<u>1506-840</u>	1	Panel, Electrical
8	2606-854	2	Lever, Release - Seat Latch	22	8424-602	8	Nut, Flange
9	0423-073	4	Washer	23	8476-616	8	Screw, Machine
10	0623-038	4	Nut, Hex	24	0423-456	1	Screw, Thumb
11	0423-120	2	Nut, Wheel	25	<u>1506-839</u>	1	Cover, Battery Box
12	<u>1506-852</u>	1	Base, Seat - Tools - Assembly	26	<u>1506-853</u>	2	Belt, Seat
13	0745-047	1	Battery - Assembly (inc. 14-17)	27	8408-025	4	Screw, Cap
14	0645-246	6	● Cap, Battery	28	8427-002	4	Nut



DASH ASSEMBLY

0740-351

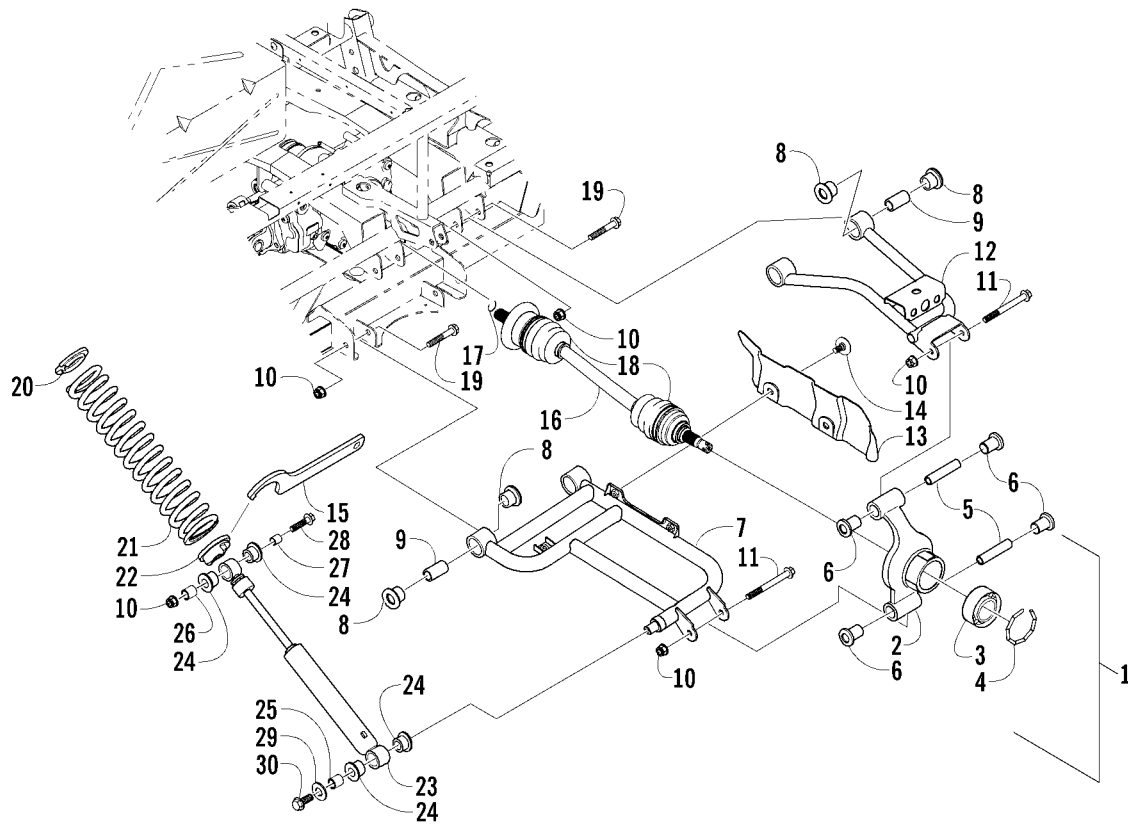
Ref.	Part No.	Qty.	Description	Ref.	Part No.	Qty.	Description
1	1406-726	1	Panel, Dash	11	0409-074	1	Switch, 2WD/4WD
2	1406-727	1	Pod, Instrument	12	0502-905	1	Lever, Differential Lock - Assembly
3	0520-006	1	Gauge, A/D LCD	13	0430-040	1	Switch, Ignition (inc. 14-15)
4	0423-342	6	Screw, Self-Tapping	14	0430-050	1	● Nut, Flange - Key Switch
5	0623-784	6	Screw, Self-Tapping	15	0430-042	1	● Key, Ignition Series (Y)
6	0420-065	1	Clamp, Plastic - LCD Gauge		0430-043	1	● Key, Ignition Series (Z)
7	0423-493	2	Nut, Hex	16	0430-054	1	Cover, Key
8	0641-897	2	Outlet, Accessory - 12V	17	1406-789	1	Cover, Glove Box
9	0409-069	1	Panel, Switch-Mount	18	0423-541	1	Grommet, Latch - Glove Box
10	0409-067	1	Switch - Lights				



FRONT SUSPENSION ASSEMBLY

0740-375 *Not a Service Part

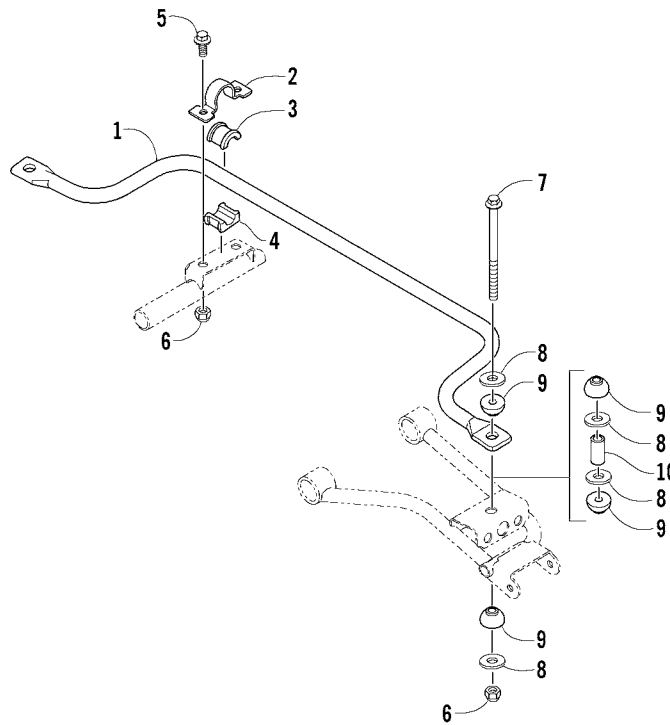
Ref.	Part No.	Qty.	Description	Ref.	Part No.	Qty.	Description
1	1603-889	2	Retainer, Spring	18	0403-114	4	● Collar
2	0403-161	2	Spring, Shock Absorber - Platinum	19	<u>0505-468</u>	1	Knuckle - Assembly - Right (inc. 20-22)
3	0403-102	2	Cam, Spring Adjuster		<u>0505-469</u>	1	Knuckle - Assembly - Left (inc. 20-22)
4	<u>0403-147</u>	2	Shock Absorber - Front (inc. 5-6)	20	*	1	● Knuckle, Steering - Right
5	0603-955	8	● Bushing		*	1	● Knuckle, Steering - Left
6	1603-209	4	● Sleeve	21	1402-027	2	● Bearing, Wheel Hub
7	<u>0404-116</u>	4	Sleeve, Shock	22	0423-423	2	● Ring, Retaining
8	0441-587	1	Wrench, Spanner	23	8409-030	4	Screw, Cap
9	8409-040	4	Screw, Cap	24	0423-334	2	Screw, Cap
10	8428-002	10	Nut, Lock	25	8409-075	4	Screw, Cap
11	0503-196	1	A-Arm, Upper Right - Black (inc. 12-15)	26	<u>0502-733</u>	1	Axle - Front - Right (inc. 27-28)
	0503-197	1	A-Arm, Upper Left - Black (inc. 12-15)		<u>0502-734</u>	1	Axle - Front - Left (inc. 27-28)
12	0403-081	4	● Bushing	27	1441-109	2	● Clip, Retaining
13	0403-080	2	● Collar	28	0436-276	2	● Repair Kit, Boot - Front
14	0423-009	4	● Clip, Ball Joint	29	0441-752	1	Guard, Boot - Right
15	0405-115	4	● Ball Joint - Front		0441-753	1	Guard, Boot - Left
16	0503-220	1	A-Arm, Lower Right - Black (inc. 14-15 and 17-18)		1441-002	1	Guard, Boot - Right (Green)
	0503-221	1	A-Arm, Lower Left - Black (inc. 14-15 and 17-18)		1441-003	1	Guard, Boot - Left (Green)
17	0403-115	8	● Bushing		0441-756	1	Guard, Boot - Right (Cat Green)
					0441-757	1	Guard, Boot - Left (Cat Green)
				30	0423-101	4	Screw, Body



REAR SUSPENSION ASSEMBLY

0740-371 *Not a Service Part

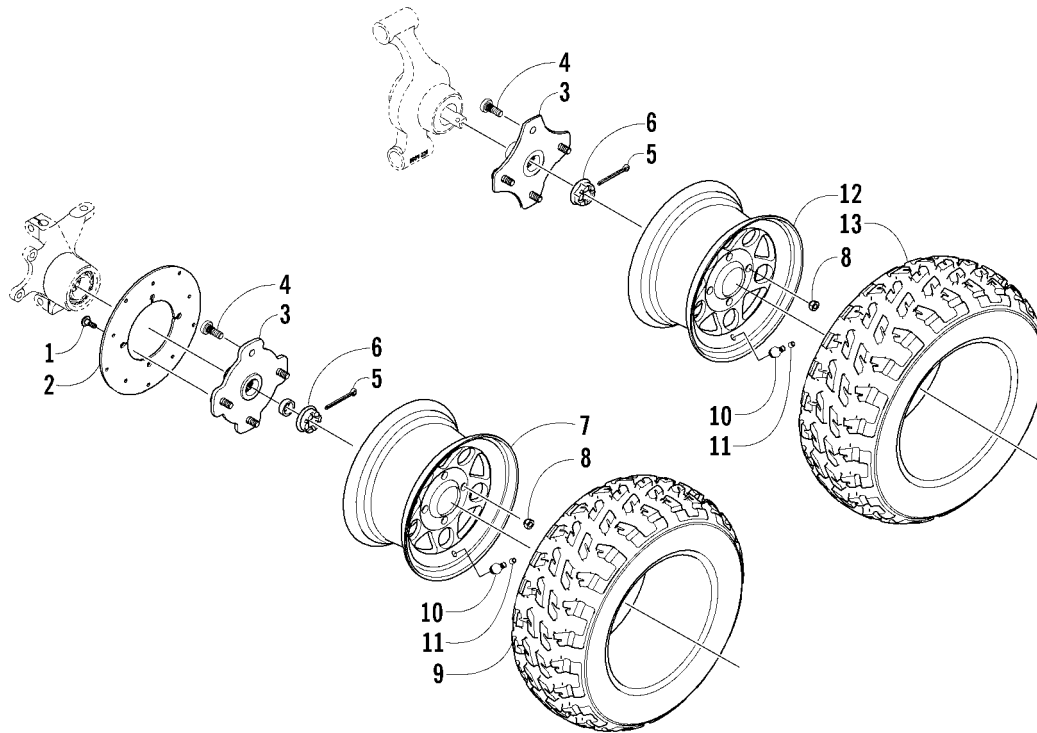
Ref.	Part No.	Qty.	Description	Ref.	Part No.	Qty.	Description
1	<u>0504-389</u>	2	Knuckle, Rear - Assembly (inc. 2-6)	14	0423-101	4	Screw, Body
2	*	2	● Knuckle	15	0441-587	1	Wrench, Spanner
3	1402-027	2	● Bearing, Wheel Hub	16	<u>0502-740</u>	2	Axle , Drive (inc. 17-18)
4	0423-423	2	● Ring, Retaining	17	0441-893	2	● Clip, Retaining
5	0403-038	4	● Collar, Suspension Bushing	18	0436-276	2	● Repair Kit, Boot - Rear
6	0403-032	8	● Bushing, Suspension	19	8409-075	8	Screw, Cap
7	<u>0504-402</u>	1	A-Arm, Rear - Lower Right - Black (inc. 8-9)	20	1603-889	2	Retainer, Spring
	<u>0504-403</u>	1	A-Arm, Rear - Lower Left - Black (inc. 8-9)	21	<u>0404-117</u>	2	Spring, Suspension - Black
8	0403-115	16	● Bushing	22	0404-057	2	Cam, Spring Adjuster
9	0403-114	8	● Collar	23	<u>0404-115</u>	2	Shock Absorber - Rear (inc. 24-26)
10	8428-002	14	Nut, Lock	24	0603-955	8	● Bushing
11	8409-000	4	Screw, Cap	25	1603-219	2	● Sleeve, Shock
12	<u>0504-358</u>	1	A-Arm, Rear - Upper Right - Black (inc. 8-9)	26	1603-209	2	● Sleeve
	<u>0504-359</u>	1	A-Arm, Rear - Upper Left - Black (inc. 8-9)	27	<u>0404-116</u>	2	Sleeve, Shock Absorber
13	0441-754	1	Guard, Boot - Right	28	8409-040	2	Screw, Cap
	0441-755	1	Guard, Boot - Left	29	0423-087	2	Washer
	1441-004	1	Guard, Boot - Right (Green)	30	8408-820	2	Screw, Cap
	1441-005	1	Guard, Boot - Left (Green)				
	0441-758	1	Guard, Boot - Right (Cat Green)				
	0441-759	1	Guard, Boot - Left (Cat Green)				



SWAY BAR ASSEMBLY

0740-634

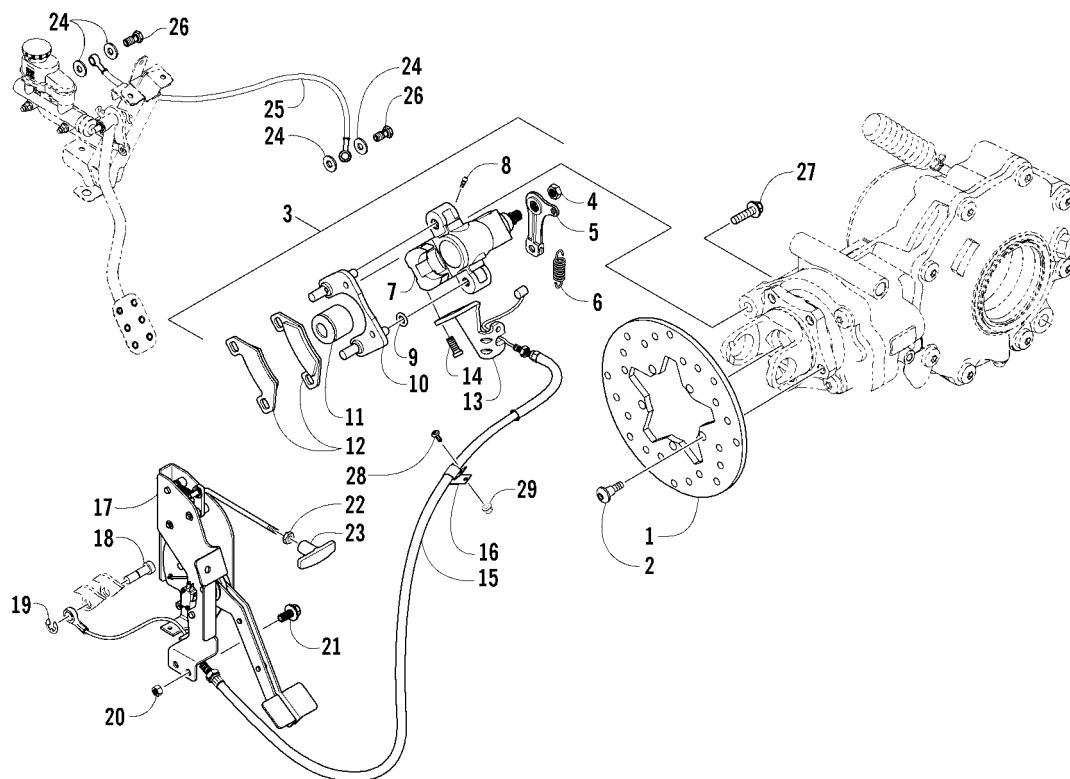
Ref.	Part No.	Qty.	Description	Ref.	Part No.	Qty.	Description
1	<u>0404-110</u>	1	Bar, Sway - Assembly	6	8422-002	2	Nut
2	<u>0404-135</u>	2	Clamp, Sway Bar Bushing	7	0423-335	2	Screw, Cap
3	<u>0404-094</u>	2	Bushing, Sway Bar - Upper	8	0423-073	8	Washer
4	<u>0404-095</u>	2	Bushing, Sway Bar - Lower	9	<u>1402-434</u>	8	Bushing, Sway Bar
5	8409-016	2	Screw, Cap	10	<u>0423-620</u>	2	Spacer, Sway Bar



WHEEL AND TIRE ASSEMBLY

0740-489

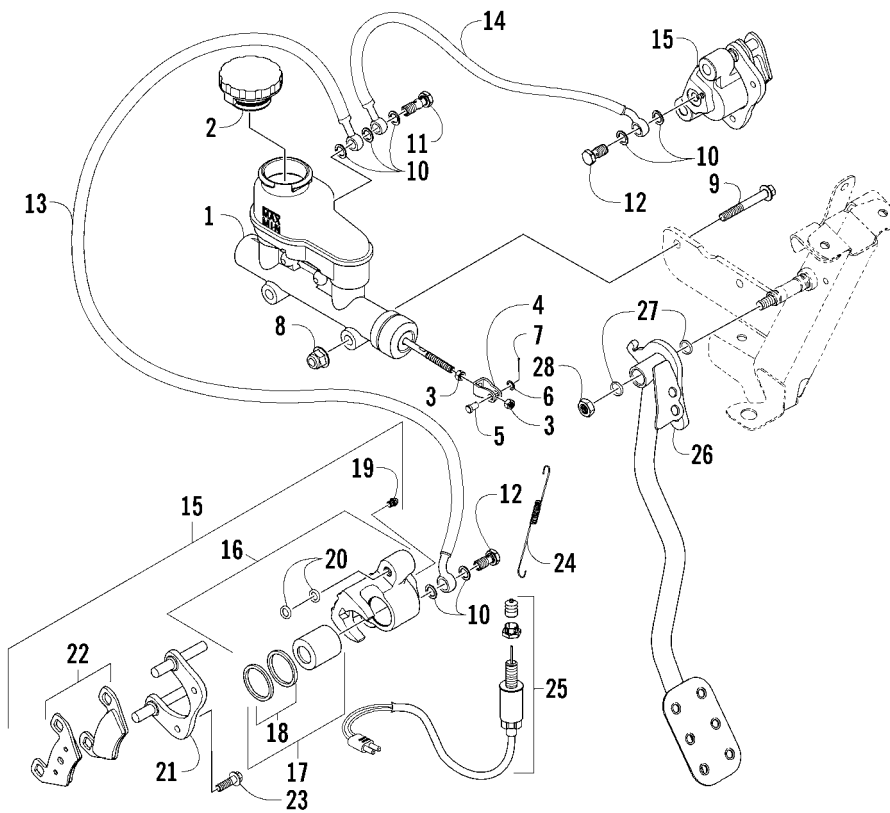
Ref.	Part No.	Qty.	Description	Ref.	Part No.	Qty.	Description
1	0423-557	8	Screw, Machine	8	<u>0423-618</u>	16	Nut, Mounting - Wheel - Chrome
2	<u>1402-455</u>	2	Disc, Brake	9	<u>1402-392</u>	2	Tire - Front
3	<u>0502-980</u>	4	Hub, Wheel (inc. 4)	10	0402-064	4	Stem, Valve (inc. 11)
4	0402-974	16	● Stud, Wheel Hub	11	0402-140	4	● Cap, Valve Stem
5	0423-407	4	Pin, Cotter	12	<u>1402-453</u>	2	Wheel - Rear - Red
6	<u>0423-607</u>	4	Nut, Castle		<u>1402-457</u>	2	Wheel - Rear - Green (Green)
7	<u>1402-450</u>	2	Wheel - Front - Red		<u>1402-454</u>	2	Wheel - Rear - Cat Green (Cat Green)
	<u>1402-456</u>	2	Wheel - Front - Green (Green)	13	<u>1402-393</u>	2	Tire - Rear
	<u>1402-451</u>	2	Wheel - Front - Cat Green (Cat Green)				



REAR AND PARKING BRAKE ASSEMBLY

0740-483 *Not a Service Part

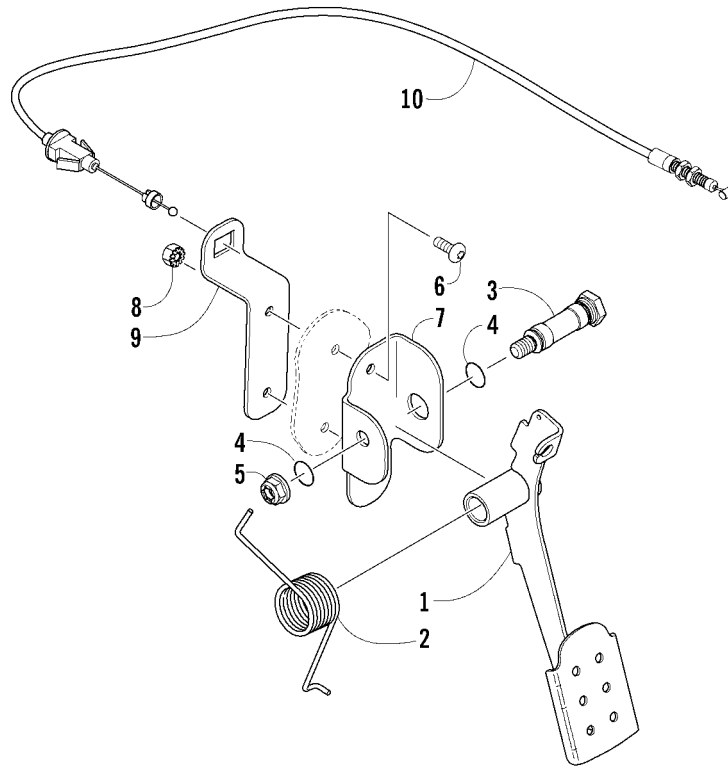
Ref.	Part No.	Qty.	Description	Ref.	Part No.	Qty.	Description
1	<u>1402-547</u>	1	Rotor	16	0423-666	1	Clamp, Cable
2	0423-557	5	Screw, Shoulder	17	<u>0502-747</u>	1	Brake, Parking - Assembly
3	<u>0502-986</u>	1	Brake Assembly (inc. 4-12)	18	<u>0423-664</u>	1	Pin
4	<u>0502-988</u>	1	● Nut	19	<u>0423-665</u>	1	E-Clip
5	<u>0502-984</u>	1	● Lever, Actuator	20	8424-802	3	Nut, Flange
6	<u>0502-985</u>	1	● Spring	21	8408-816	3	Screw, Cap
7	*	1	● Housing, Caliper	22	8424-602	1	Nut
8	0502-609	1	● Valve, Bleed	23	<u>1402-538</u>	1	Knob, Parking Brake
9	*	2	● O-Ring, Brake Caliper	24	0423-178	4	Washer, Crush
10	*	1	● Bracket Assembly	25	<u>1402-388</u>	1	Hose, Brake
11	*	2	● Piston	26	0423-413	2	Bolt, Banjo Fitting
12	<u>0502-875</u>	2	● Pad, Brake	27	8408-835	2	Screw, Cap
13	0502-605	1	Bracket, Cable - Parking Brake	28	<u>8468-620</u>	1	Screw, Machine
14	*	2	Screw, Cap	29	0423-540	1	Nut, Flange
15	<u>0487-036</u>	1	Cable, Parking Brake				



HYDRAULIC BRAKE ASSEMBLY

0740-514

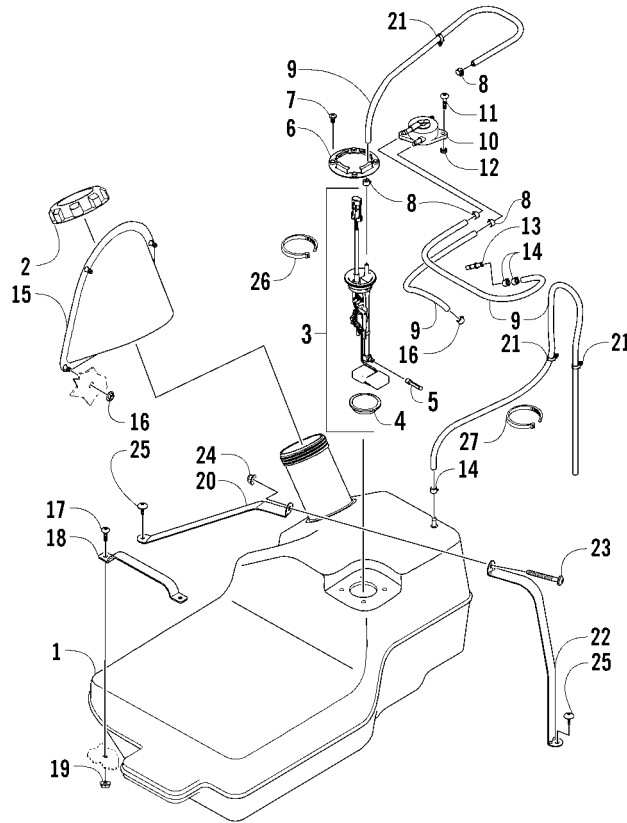
Ref.	Part No.	Qty.	Description	Ref.	Part No.	Qty.	Description
1	<u>0502-786</u>	1	Cylinder, Master Brake - Assembly (inc. 2-4)	16	0502-603	1	● Housing, Caliper - Assembly - Right Front (inc. 17-19)
2	<u>0405-225</u>	1	● Cap, Brake Fluid Reservoir		0502-611	1	● Housing, Caliper - Assembly - Left Front (inc. 17-19)
3	<u>0405-592</u>	2	● Nut, Clevis - Kit	17	0502-606	2	●● Piston/Seal Set (inc. 18)
4	<u>1402-520</u>	1	● Clevis - Kit	18	0502-607	2	●●● Seal Set
5	1402-377	1	Pin, Clevis	19	0502-609	3	●● Valve, Bleed
6	8050-217	1	Washer	20	0502-608	2	● O-Ring, Guide - Set
7	0402-584	1	Pin, Cotter	21	<u>0502-960</u>	2	● Bracket Assembly
8	8424-802	2	Nut	22	<u>0502-875</u>	2	● Pad, Brake - Set
9	8408-860	2	Screw, Cap	23	8408-825	4	Screw, Cap
10	0423-178	7	Washer, Crush	24	<u>0502-785</u>	1	Spring, Brake Switch
11	0423-610	1	Bolt, Double Banjo Fitting	25	<u>0409-072</u>	1	Switch, Brake - Assembly
12	0423-413	2	Bolt, Banjo Fitting	26	<u>1502-042</u>	1	Lever, Brake
13	1402-389	1	Hose, Brake - Front	27	1602-213	2	O-Ring
14	1402-290	1	Hose, Brake - Front Right	28	8428-002	1	Nut
15	<u>0502-958</u>	1	Caliper, Brake - Right Front (inc. 16-22)				
	<u>0502-959</u>	1	Caliper, Brake - Left Front (inc. 16-22)				



ACCELERATOR ASSEMBLY

0740-496

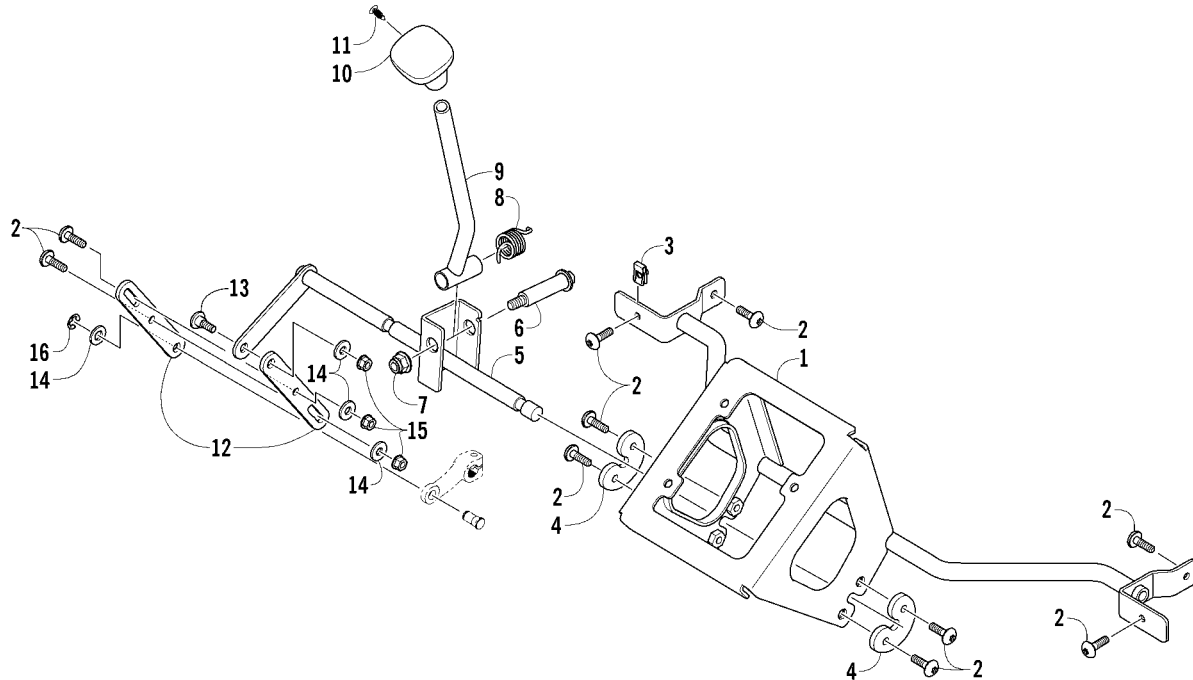
Ref.	Part No.	Qty.	Description	Ref.	Part No.	Qty.	Description
1	<u>0502-974</u>	1	Pedal, Accelerator	6	8471-616	2	Screw, Machine
2	<u>0405-233</u>	1	Spring	7	<u>1402-486</u>	1	Bracket, Accelerator Pedal
3	0402-872	1	Axle	8	0623-038	2	Nut, Hex w/Washer
4	1602-213	2	O-Ring	9	<u>1402-488</u>	1	Bracket, Cable - Throttle
5	8422-002	1	Nut	10	<u>0487-039</u>	1	Cable, Throttle



GAS TANK ASSEMBLY

0740-296

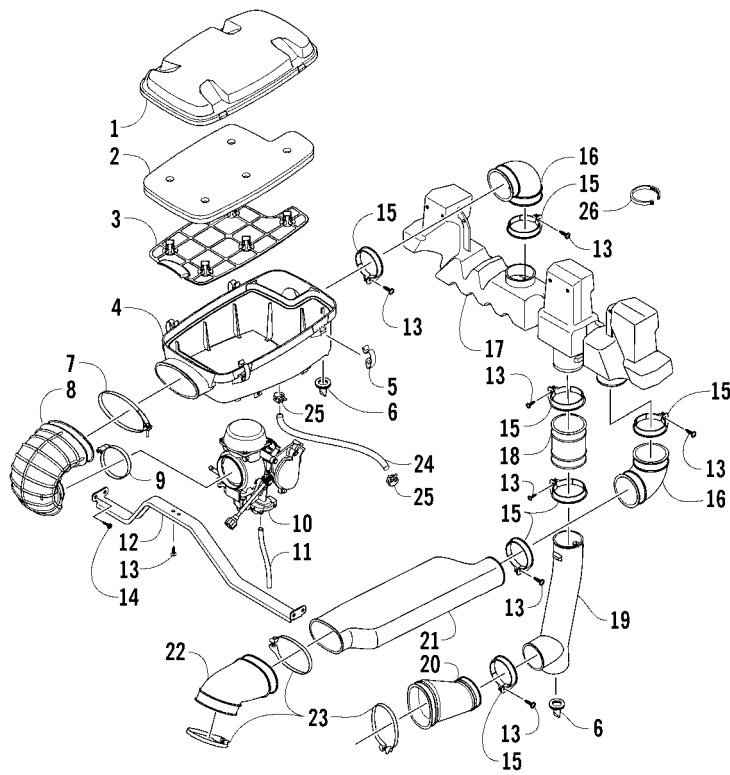
Ref.	Part No.	Qty.	Description	Ref.	Part No.	Qty.	Description
1	<u>0570-097</u>	1	Tank, Gas - Assembly (inc. 2-7)	15	<u>1406-886</u>	1	Inset, Fuel Cap
2	<u>0470-541</u>	1	● Cap, Gas Tank	16	<u>0423-357</u>	4	Nut, Stamped
3	<u>0570-100</u>	1	● Sensor, Fuel Level (inc. 4-5)	17	<u>8476-625</u>	2	Screw, Machine
4	<u>0470-521</u>	1	● Seal, Fuel Level Sensor	18	<u>0470-544</u>	1	Bracket, Gas Tank Mount
5	<u>0470-475</u>	1	●● Filter, Fuel	19	<u>8424-602</u>	2	Nut
6	<u>0470-546</u>	1	● Plate, Mounting - Fuel Level Sensor	20	<u>0570-127</u>	1	Strap, Gas Tank
7	<u>1623-158</u>	4	● Screw, Plastite	21	<u>1623-406</u>	3	Clip, Routing
8	<u>0423-461</u>	4	Clamp, Hose	22	<u>0570-128</u>	1	Strap, Gas Tank
9	<u>0410-070</u>	AR	Hose, Gasline - 25 ft	23	<u>8476-650</u>	1	Screw, Machine
10	<u>0470-519</u>	1	Pump, Fuel	24	<u>8427-602</u>	1	Nut, Hex
11	<u>8476-620</u>	2	Screw, Machine	25	<u>0623-784</u>	2	Screw, Self-Tapping
12	<u>0623-038</u>	2	Nut, Lock	26	<u>0123-788</u>	1	Cable Tie - 7.5 in.
13	<u>0470-527</u>	1	Fitting, Straight	27	<u>0123-811</u>	1	Cable Tie - 4 in.
14	<u>1623-233</u>	4	Clamp, Hose				



SHIFTING ASSEMBLY

0740-309

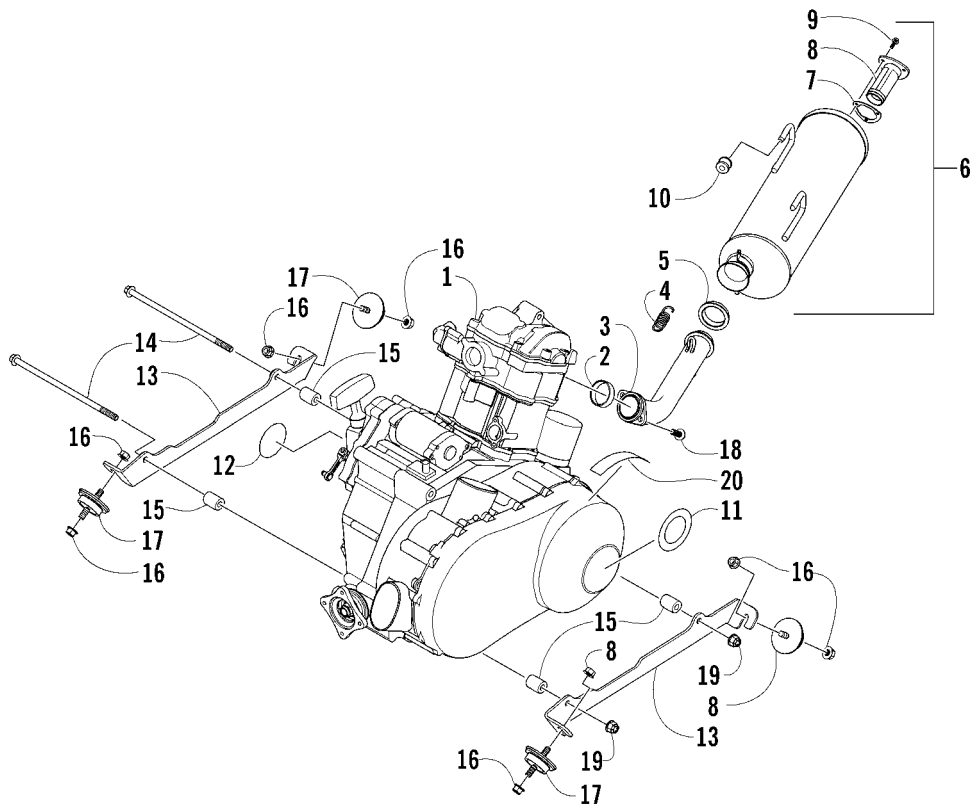
Ref.	Part No.	Qty.	Description	Ref.	Part No.	Qty.	Description
1	<u>1506-525</u>	1	Mount, Shift	9	<u>1506-810</u>	1	Lever, Shift
2	8476-616	10	Screw, Machine	10	0402-843	1	Knob, Shift
3	0423-577	4	Clip, U	11	0623-269	1	Clip, Retainer
4	<u>1402-275</u>	2	Retainer, Shift Linkage	12	<u>2406-031</u>	1	Linkage, Shift
5	<u>1506-811</u>	1	Axle, Shift	13	0423-355	1	Screw, Shoulder
6	0423-505	1	Screw, Shoulder	14	8050-242	4	Washer
7	8424-802	1	Nut, Flange	15	8424-602	3	Nut, Flange
8	1402-269	1	Spring, Shift	16	0124-057	1	E-Ring



AIR INTAKE ASSEMBLY

0740-302

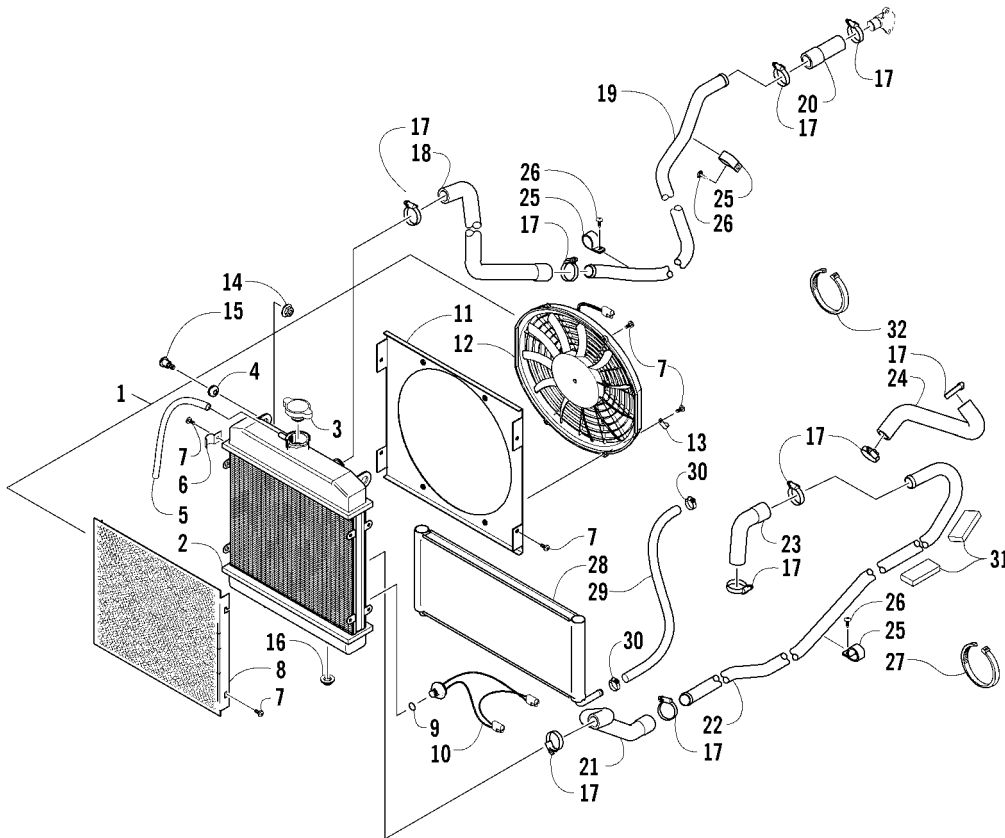
Ref.	Part No.	Qty.	Description	Ref.	Part No.	Qty.	Description
1	0470-554	1	Cover, Air Intake	14	0623-784	4	Screw, Self-Tapping
2	0470-494	1	Filter, Air	15	0423-551	7	Clamp, Plastic
3	0470-516	1	Screen, Air Filter	16	0413-098	2	Boot, Air Duct
4	0470-515	1	Housing, Air Intake	17	0413-101	1	Plenum, Air-In/Out
5	0423-455	4	Clip, Spring	18	0413-085	1	Boot, Air-In
6	0470-442	3	Valve, Drain	19	0413-100	1	Duct, Air-In
7	0423-554	1	Clamp, Boot	20	0413-049	1	Boot, Duct
8	0470-525	1	Boot, Carburetor	21	0413-108	1	Duct, Air-Out
9	0423-380	1	Clamp, Boot	22	0413-109	1	Boot, Air-Out
10	0470-571	1	Carburetor, CVK36-AE	23	0423-589	3	Clamp
11	0510-593	1	Hose, Carburetor Drain	24	0410-079	1	Hose, Vent - Crankcase
12	1506-801	1	Bracket, Mount - Air Intake	25	0423-045	2	Clamp, Hose
13	0423-342	9	Screw, Self-Tapping	26	0123-788	2	Cable Tie - 7.5 in.



ENGINE AND EXHAUST

0740-392

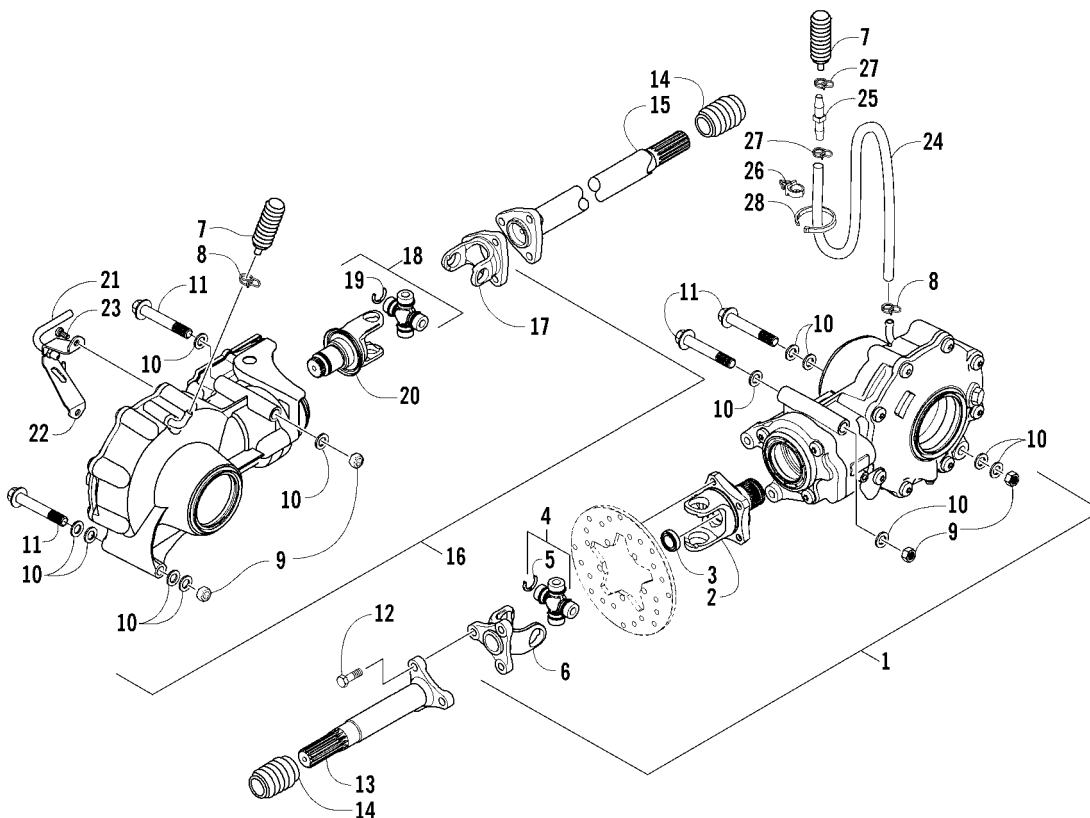
Ref.	Part No.	Qty.	Description	Ref.	Part No.	Qty.	Description
1	0800-010	1	Engine	12	1411-177	1	Decal - "USA"
2	0412-256	1	Seal, Exhaust	13	1406-716	1	Bracket, Engine - Right
3	0512-189	1	Pipe, Exhaust		1406-715	1	Bracket, Engine - Left
4	0612-668	2	Spring	14	0423-537	2	Bolt
5	0412-338	1	Gasket, Exhaust Pipe	15	0423-042	3	Spacer, Engine Mount
6	0512-191	1	Muffler - Assembly (inc. 7-9)	16	8424-002	8	Nut
7	0412-313	1	● Gasket, Spark Arrester	17	0408-014	4	Mount, Engine
8	0512-219	1	● Spark Arrester Assembly	18	8408-820	2	Screw, Cap
9	8408-616	3	● Screw, Cap	19	8428-002	2	Nut
10	0412-215	2	Bushing, Exhaust Pipe	20	0411-426	1	Decal, Warning - Clutch Cover
11	1411-176	1	Decal - "Duramatic"				



COOLING ASSEMBLY

0740-318

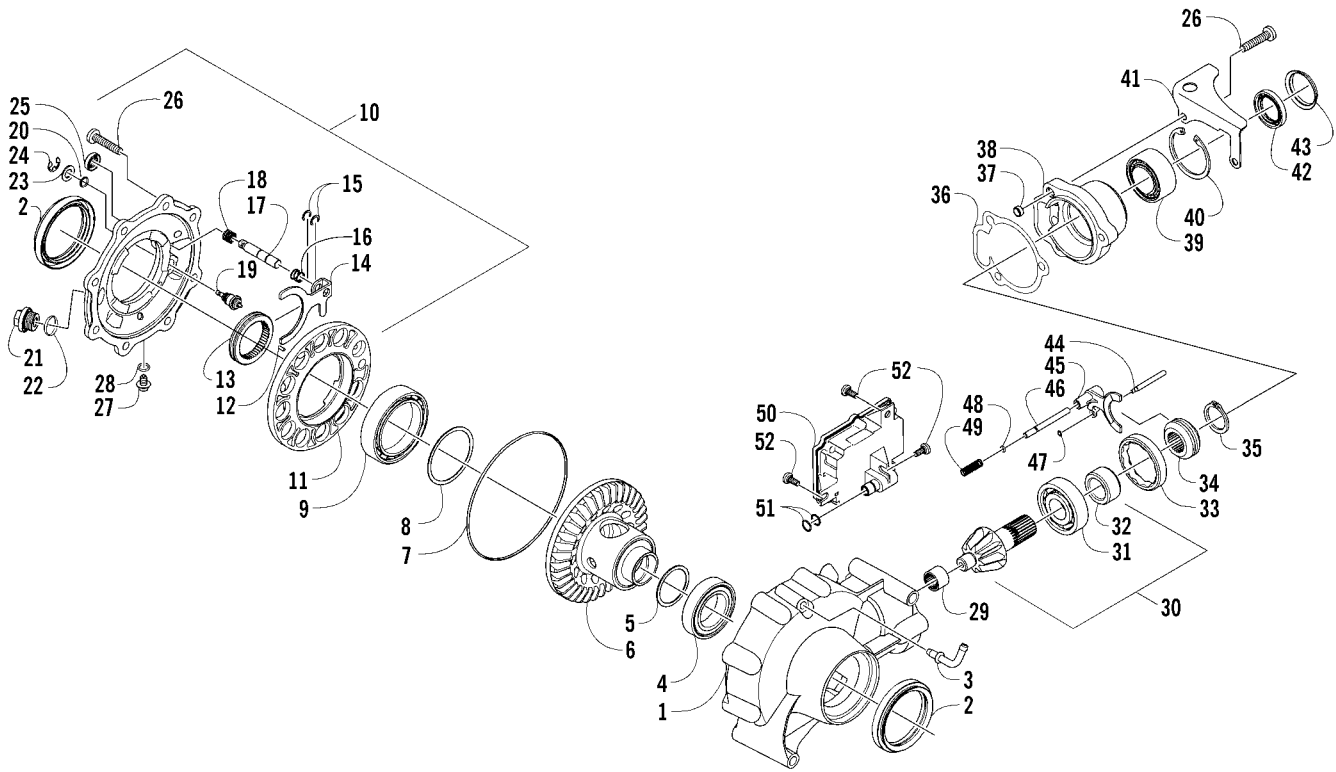
Ref.	Part No.	Qty.	Description	Ref.	Part No.	Qty.	Description
1	0413-116	1	Radiator Assembly (inc. 2-13)	18	<u>0410-092</u>	1	Hose, Coolant - Upper Radiator
2	0413-043	1	● Radiator	19	<u>0410-089</u>	1	Pipe, Coolant - Upper
3	0413-002	1	● Cap, Radiator	20	<u>0410-091</u>	1	Hose, Coolant - Upper Engine
4	0423-030	2	● Grommet	21	<u>0410-094</u>	1	Hose, Coolant - Lower Radiator
5	0410-066	AR	● Hose - 25 ft	22	<u>0410-090</u>	1	Pipe, Coolant - Lower
6	0423-351	1	● Clamp, Wire	23	<u>0410-093</u>	1	Hose, Coolant - Lower Engine
7	8475-512	12	● Screw, Machine	24	<u>0410-095</u>	1	Hose, Coolant - Rear
8	0413-007	1	● Screen, Radiator	25	0423-594	2	Clamp, Pipe - Coolant
9	0423-390	1	● O-Ring	26	0623-784	2	Screw, Self-Tapping
10	0413-045	1	● Sender, Temperature - Coolant	27	0123-903	5	Cable Tie - 11.5 in.
11	<u>0413-124</u>	1	● Shroud, Fan	28	<u>0413-122</u>	1	Cooler, Oil
12	<u>0413-123</u>	1	● Fan, Cooling	29	<u>0410-097</u>	1	Hose, Oil - Lower
13	0123-397	1	● Clamp, Cable		<u>0410-098</u>	1	Hose, Oil - Upper
14	0623-038	2	Nut w/Washer	30	0623-028	4	Clamp
15	0423-484	2	Screw, Shoulder	31	0406-288	2	Pad
16	0423-028	2	Bushing, Stem	32	0623-751	2	Cable Tie, Reuseable
17	0423-496	10	Clamp, Hose				



DRIVE TRAIN ASSEMBLY

0740-409

Ref.	Part No.	Qty.	Description	Ref.	Part No.	Qty.	Description
1	0502-738	1	Gearcase, Rear (inc. 2-6)	15	0502-855	1	Shaft, Propeller
2	0502-765	1	● Shaft, Input - Assembly (inc. 3)	16	0502-737	1	Gearcase, Front (inc. 17-20)
3	1402-322	1	●● Cover, End	17	1402-369	1	● Yoke, Flange
4	0402-944	1	● Joint, Universal - Set (inc. 5)	18	1402-164	1	● Joint, Universal - Set (inc. 19)
5	0423-395	4	●● Retainer	19	0423-450	4	●● Retainer
6	0502-331	1	● Yoke, Propeller Shaft	20	0502-517	1	● Yoke, Front End - Assembly
7	0402-147	2	Bladder, Gearcase	21	0487-037	1	Cable
8	0423-315	2	Clamp, Hose	22	0502-942	1	Plate, Cable
9	8428-002	4	Nut, Lock	23	0423-396	2	Screw, Self-Tapping
10	0423-426	10	Washer	24	0410-049	AR	Hose, Vent
11	0423-404	4	Screw, Cap	25	0470-462	1	Fitting, Vent
12	8409-025	3	Screw, Cap	26	0623-101	1	Clip, Routing - Snap-In
13	0502-857	1	Shaft, Drive - Rear	27	0423-155	2	Clamp, Hose
14	0402-966	2	Boot, Shaft	28	0123-788	1	Tie, Cable

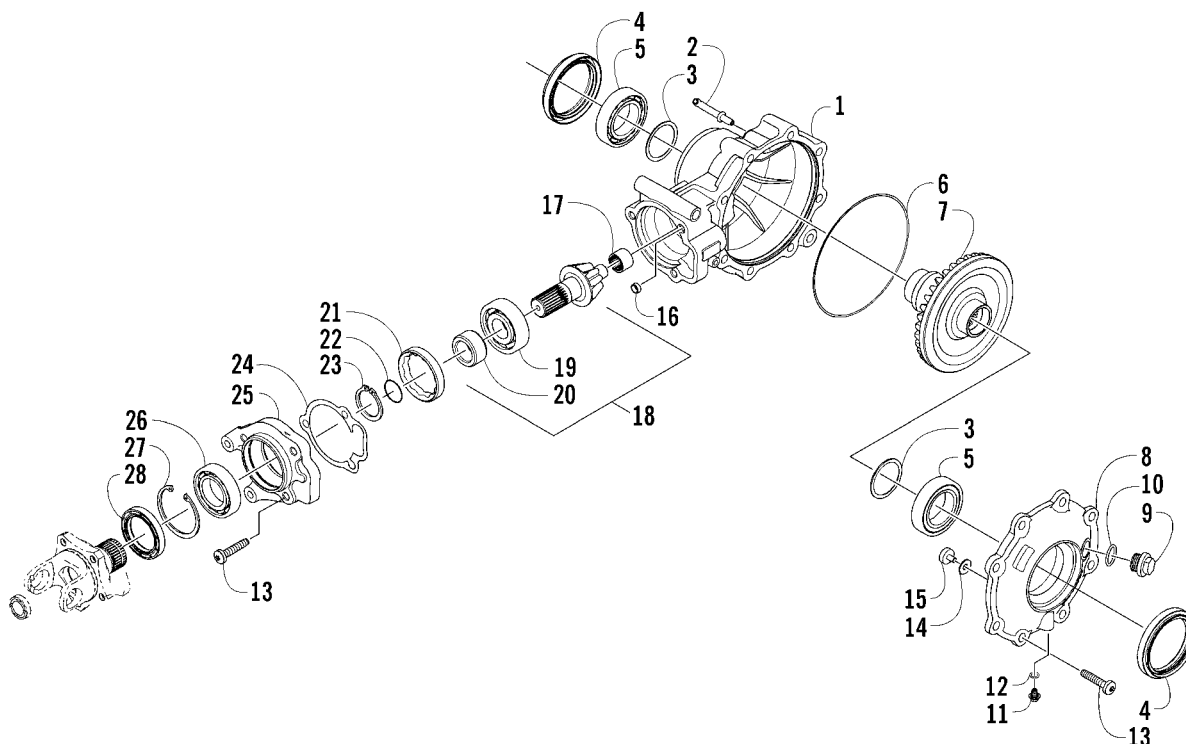


FRONT DRIVE GEARCASE ASSEMBLY

(Complete Assembly p/n 0502-737)

0740-436

Ref.	Part No.	Qty.	Description	Ref.	Part No.	Qty.	Description
1	0502-548	1	Housing, Gearcase	24	0423-424	1	● Ring, Retaining
2	0402-394	2	Seal	25	1402-056	1	● Seal
3	<u>1402-442</u>	1	Fitting	26	0423-118	11	Screw, Self-Tapping
4	0402-393	1	Bearing	27	1402-210	1	Plug, Oil Level (inc. 28)
5	0402-402	AR	Shim	28	0423-153	1	● O-Ring
	0402-403	AR	Shim	29	0402-328	1	Bearing, Needle
	0402-404	AR	Shim	30	0502-649	1	Gear, Pinion - Assembly - 9T (inc. 31-32)
6	0502-650	1	Gear, Front - Assembly - 36T	31	0402-327	1	● Bearing
7	0423-147	1	O-Ring	32	0402-336	1	● Collar, Retaining
8	1402-074	AR	Shim	33	0402-357	1	Collar, Lock
	1402-075	AR	Shim	34	0402-413	1	Coupler, Drive
	1402-076	AR	Shim	35	0423-417	1	Ring, Retaining
	1402-077	AR	Shim	36	0402-947	1	Gasket
	1402-078	AR	Shim	37	0402-411	1	Pin, Dowel
9	1402-053	1	Bearing	38	<u>0502-952</u>	1	Housing, Pinion
10	<u>0502-736</u>	1	Cover, Gearcase (inc. one No. 2 and 11-25)	39	1402-043	1	Bearing
11	0502-413	1	● Flange, Bearing	40	0423-423	1	Ring, Retaining
12	1402-079	1	● Pin	41	0502-347	1	Bracket, Actuator
13	1402-042	1	● Collar, Sliding	42	1402-011	1	Seal
14	1402-054	1	● Fork	43	1402-168	1	Deflector
15	1402-058	2	● Ring, Retaining	44	0402-997	1	Shaft, Selector
16	1402-057	1	● Spring	45	0402-998	1	Fork, Selector
17	1402-055	1	● Shaft, Lock	46	0402-417	1	Shaft, Shuttle
18	1402-063	1	● Spring	47	0423-402	1	Ring, Retaining
19	0402-419	1	● Switch, Indicator	48	0423-149	1	O-Ring
20	0423-133	1	● O-Ring	49	0402-999	1	Spring, Return
21	0402-333	1	● Plug, Oil Level (inc. 22)	50	0502-579	1	Actuator (inc. one No. 51)
22	0423-154	1	● O-Ring	51	0423-498	2	● O-Ring
23	0423-132	1	● Washer	52	0423-396	3	Screw, Self-Tapping

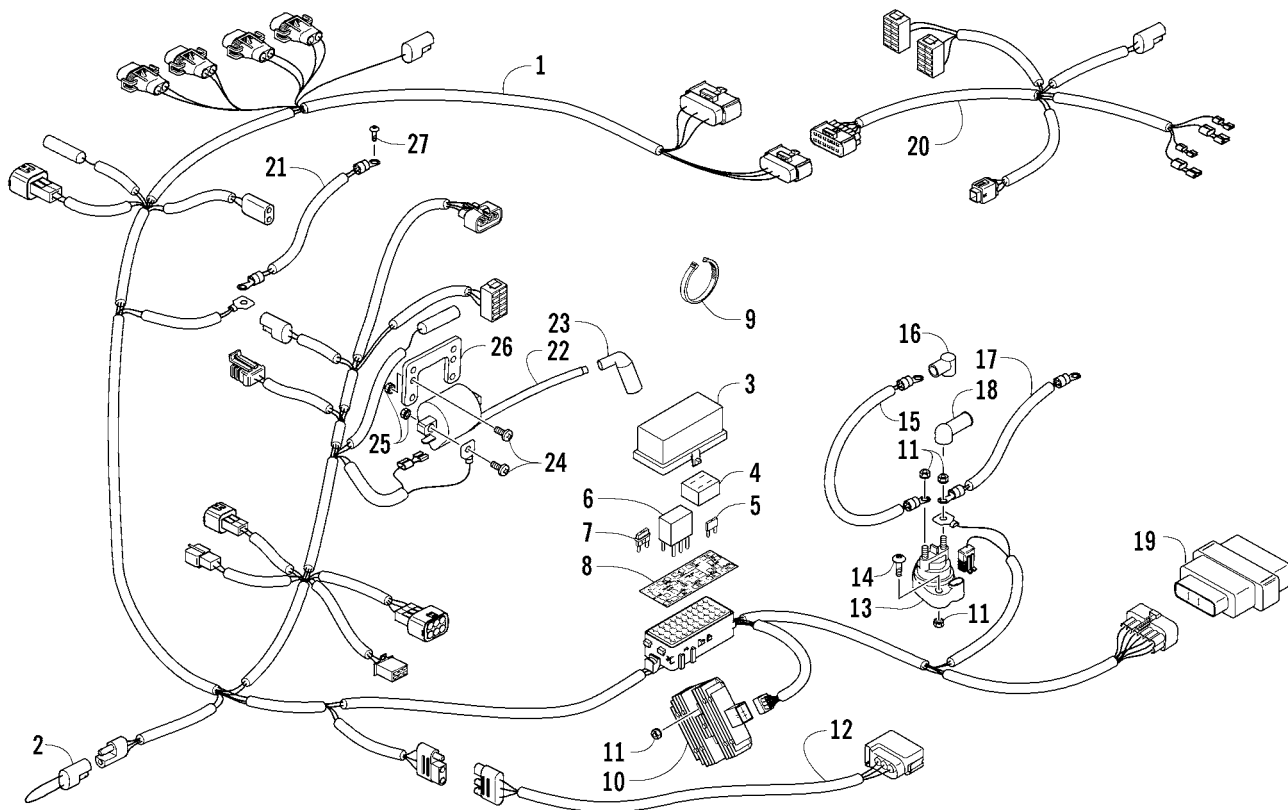


REAR DRIVE GEARCASE ASSEMBLY

(Complete Assembly p/n 0502-738)

0740-421

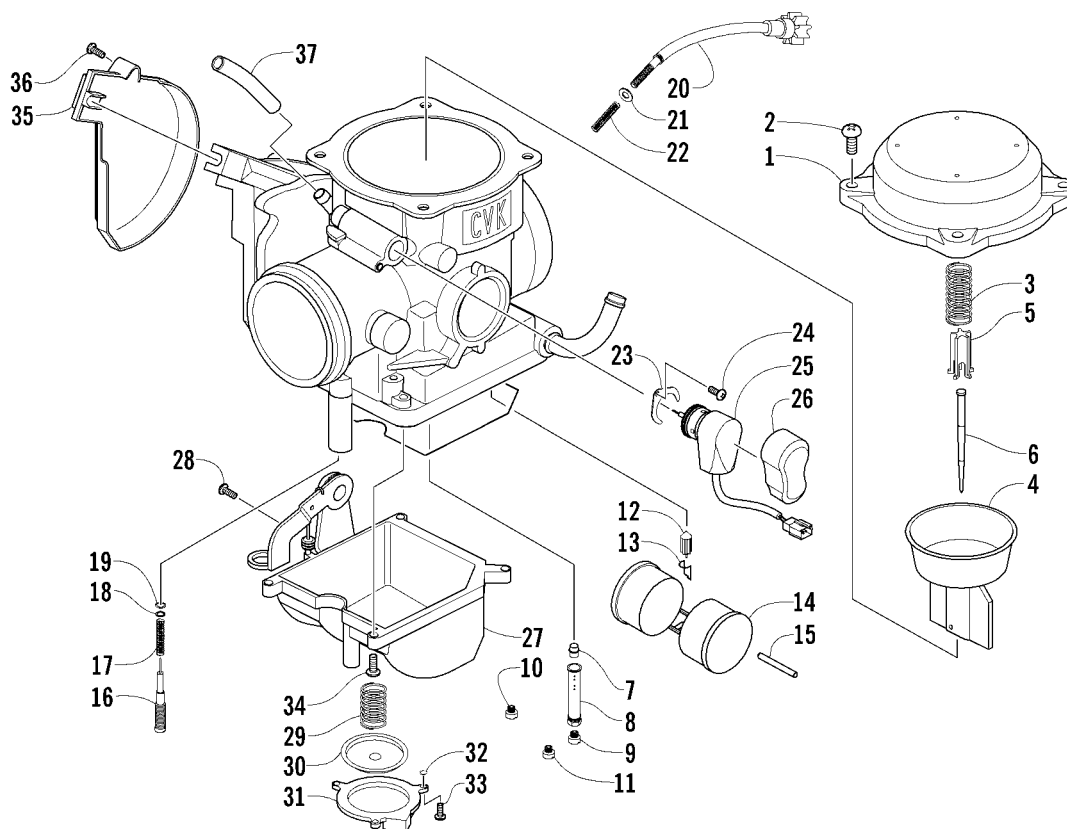
Ref.	Part No.	Qty.	Description	Ref.	Part No.	Qty.	Description
1	0502-548	1	Housing, Gearcase	13	0423-118	11	Screw, Self-Tapping
2	1402-442	2	Fitting, 90°	14	0402-431	AR	Shim
3	0402-405	AR	Shim	15	0402-326	1	Button, Thrust
	0402-406	AR	Shim	16	0402-411	1	Pin, Dowel
	0402-407	AR	Shim	17	0402-328	1	Bearing
	0402-408	AR	Shim	18	0502-649	1	Gear, Pinion - Assembly - 9T (inc. 19-20)
	0402-409	AR	Shim	19	0402-327	1	● Bearing
4	0402-394	2	Seal	20	0402-336	1	● Collar, Retaining
5	0402-393	2	Bearing	21	0402-357	1	Collar, Lock
6	0423-149	1	O-Ring	22	0423-633	1	O-Ring
7	1402-245	1	Gear, Rear - 36T	23	0423-546	1	Ring, Retaining
8	<u>0502-741</u>	1	Cover, Gearcase	24	0402-947	1	Gasket
9	0402-333	1	Plug, Fill (inc. 10)	25	0502-746	1	Housing, Pinion
10	0423-154	1	● O-Ring	26	0402-324	1	Bearing
11	0402-450	1	Plug, Magnetic (inc. 12)	27	0402-347	1	Ring, Retaining
12	0423-153	1	● O-Ring	28	1402-314	1	Seal



WIRING HARNESS ASSEMBLY

0740-599

Ref.	Part No.	Qty.	Description	Ref.	Part No.	Qty.	Description
1	<u>0486-167</u>	1	Harness, Main (inc. 2-8 and two No. 9)	14	8476-625	2	Screw, Machine
2	0486-164	1	● Tether, Accessory Connector	15	<u>0445-049</u>	1	Cable, Battery/Solenoid (inc. 16)
3	0530-008	1	● Cover, Fuse Block	16	0645-019	1	● Boot, Terminal
4	0430-037	1	● Holder, Fuse	17	<u>0445-051</u>	1	Cable, Solenoid/Starter
5	0430-034	3	● Diode	18	0645-327	1	Boot, Terminal
6	0430-033	3	● Relay	19	<u>0824-039</u>	1	CDI Unit
7	0430-032	2	● Fuse - 10 Amp	20	<u>0486-191</u>	1	Harness, Console
	0430-031	6	● Fuse - 15 Amp	21	<u>0445-050</u>	1	Cable, Battery/Engine
	0430-030	2	● Fuse - 30 Amp	22	0824-023	1	Coil, Ignition - Assembly
8	<u>1411-191</u>	1	● Decal, Fuse Block	23	0824-021	1	Cap, Spark Plug
9	0123-788	AR	● Cable Tie - 7.5 in.	24	8476-620	4	Screw, Machine
10	0824-020	1	Regulator, Voltage	25	8424-602	1	Nut, Hex
11	0623-038	8	Nut w/Washer	26	2406-266	1	Pad, Isolator
12	<u>0486-176</u>	1	Harness Adapter, Taillight	27	8470-645	1	Screw, Machine
13	0445-036	1	Solenoid				

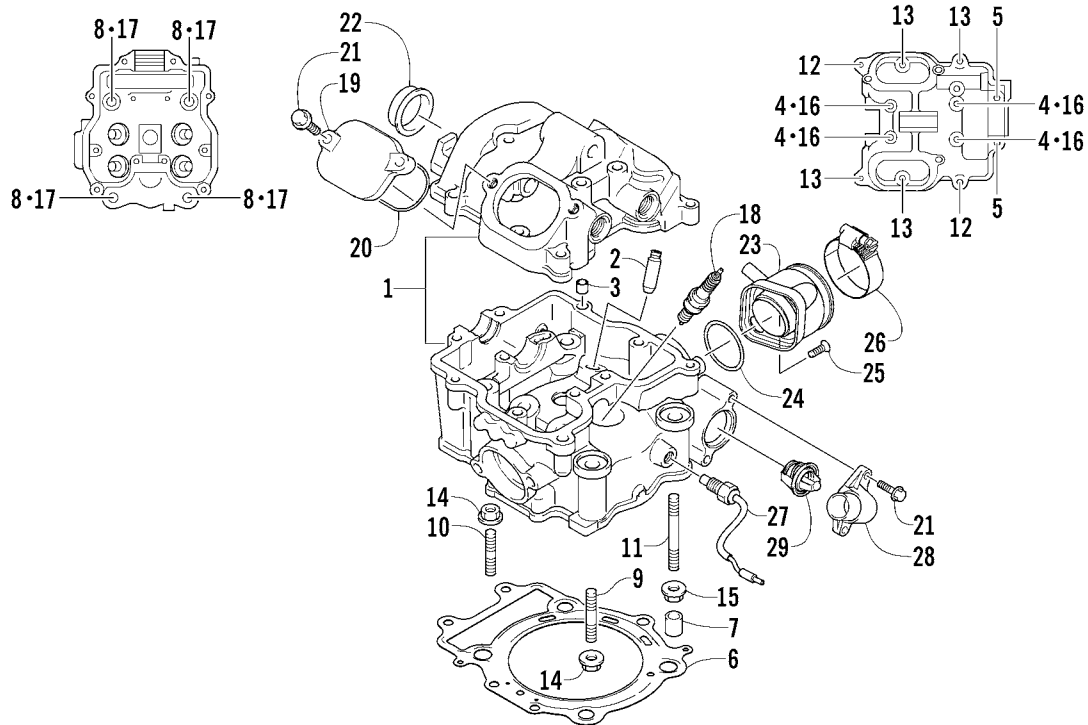


CARBURETOR

CVK36-AE (Complete Assembly p/n [0470-571](#))

0741-115 *Not a Service Part **Optional

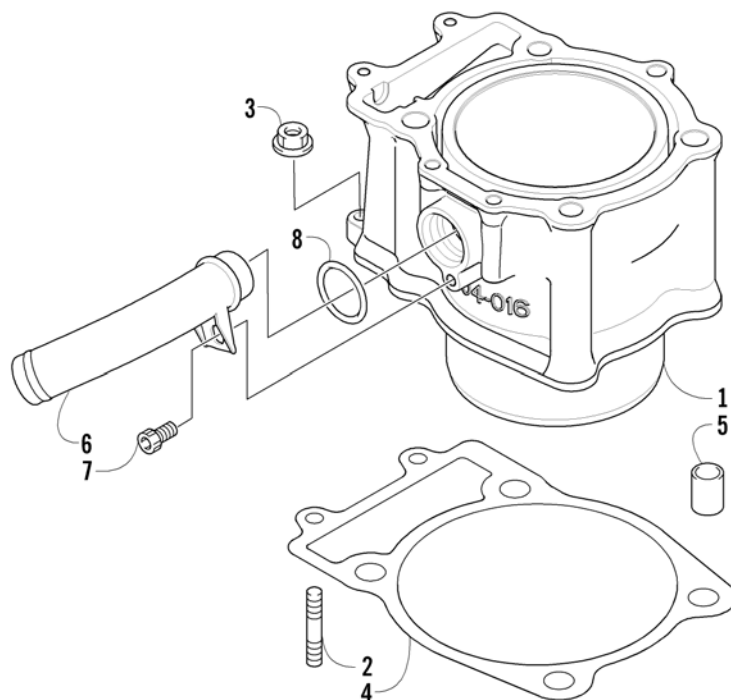
Ref.	Part No.	Qty.	Description	Ref.	Part No.	Qty.	Description
1	5507-001	1	Cover, Top	14	5507-039	1	Float Set (inc. 15)
2	5507-002	4	Screw, Top Cover	15	*	1	● Pin, Float
3	5507-066	1	Spring	16	5507-111	1	Screw, Pilot Air - Set (inc. 17-19)
4	5507-099	1	Piston, Vacuum	17	*	1	● Spring
5	5507-005	1	Seat, Spring	18	*	1	● Washer
6	5507-201	1	Jet Needle	19	*	1	● O-Ring
7	5507-007	1	Needle Jet	20	5507-027	1	Screw, Idle Adjust
8	5507-047	1	Holder, Needle Jet	21	5507-028	1	Washer
9	5507-075	1	Main Jet - 132	22	5507-029	1	Spring
	5507-072	1	Main Jet - 125**	23	5507-115	1	Plate
	5507-073	1	Main Jet - 128**	24	5507-117	1	Screw
	5507-074	1	Main Jet - 130**	25	5507-204	1	Choke, Electric
	5507-076	1	Main Jet - 138**	26	5507-114	1	Cover, Electric Choke
	5507-057	1	Main Jet - 135**	27	5507-203	1	Chamber, Float - Assembly (inc. 28-33)
	5507-043	1	Main Jet - 142**	28	5507-050	1	● Screw, Drain
	5507-042	1	Main Jet - 145**	29	5507-032	1	● Spring
	5507-041	1	Main Jet - 148**	30	5507-202	1	● Diaphragm Assembly - Pump Housing
	5507-009	1	Main Jet - 150**	31	5507-033	1	● Housing, Pump
	5507-077	1	Main Jet - 152**	32	5507-034	1	● U-Ring
	5507-078	1	Main Jet - 155**	33	5507-035	3	● Screw
10	5507-101	1	Slow Jet	34	5507-017	4	Screw
11	5507-112	1	Starter Jet - 85	35	5507-036	1	Cover
12	5507-183	1	Valve, Float - Set (inc. 13)	36	5507-037	1	Screw
13	*	1	● Clip	37	0410-056	1	Hose, Vent



CYLINDER HEAD ASSEMBLY

0741-101

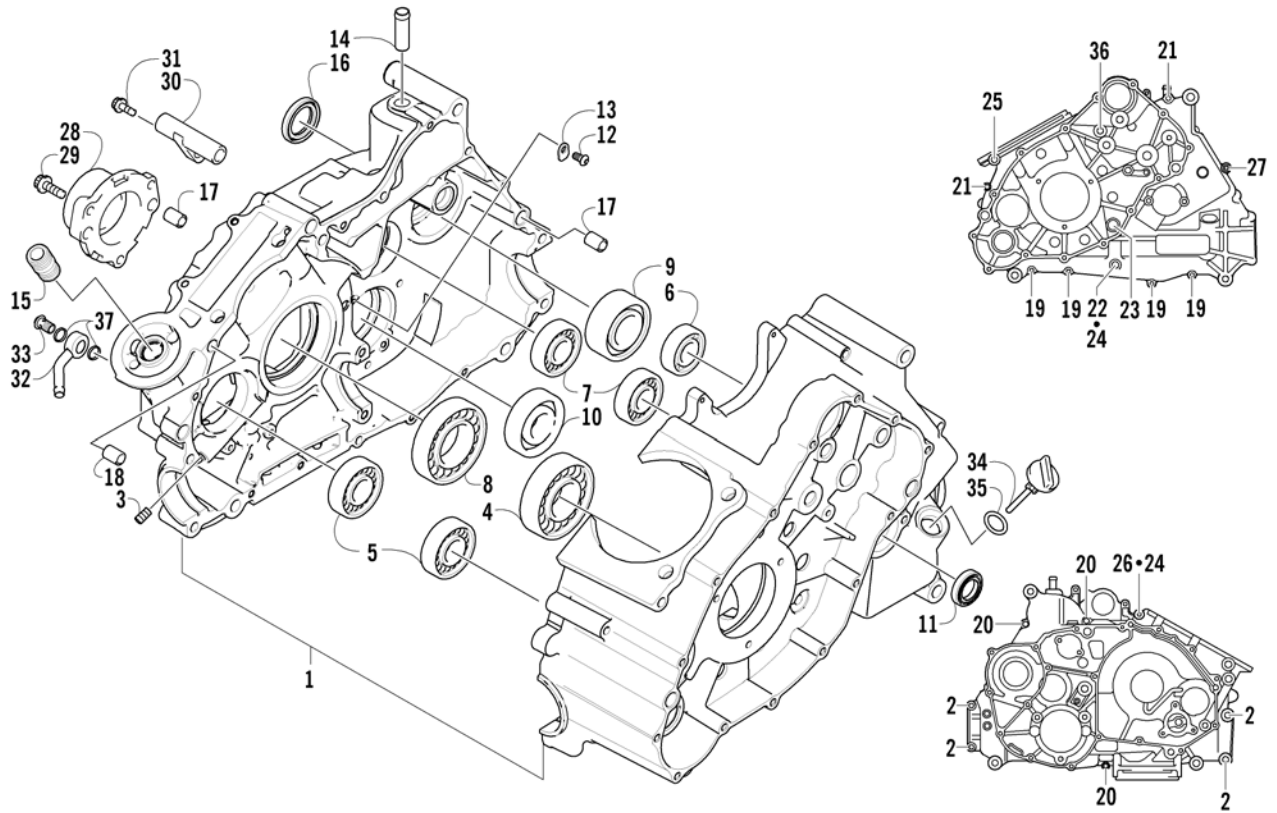
Ref.	Part No.	Qty.	Description	Ref.	Part No.	Qty.	Description
1	0808-047	1	Head, Cylinder - Assembly (inc. 2-4)	16	0830-107	4	Gasket - Seal, Fastener
2	0808-002	4	● Guide, Valve	17	0830-003	4	Washer, Crush
3	0829-001	2	● Dowel, Sleeve	18	0217-727	1	Spark Plug (RG6YC)
4	0826-001	4	● Screw, Cap	19	0808-003	2	Cap, Inspection
5	0826-002	2	Screw, Cap	20	0830-004	2	O-Ring
6	0830-124	1	Gasket, Cylinder Head	21	0826-007	4	Screw, Cap
7	0829-002	2	Pin, Dowel	22	0808-077	1	Plug, Cylinder Head
8	0808-037	4	Screw, Cap	23	0570-115	1	Pipe, Intake - Assembly
9	0827-030	2	Bolt, Stud	24	0830-090	1	O-Ring
10	0827-002	2	Bolt, Stud	25	0826-008	2	Screw, Machine
11	0827-031	1	Bolt, Stud	26	0423-317	1	Clamp, Intake Pipe
12	0826-005	2	Screw, Cap	27	0808-007	1	Switch, Water Temperature - Assembly
13	0826-006	4	Screw, Cap	28	0808-008	1	Cover, Thermostat
14	8424-604	4	Nut	29	0808-078	1	Thermostat
15	8424-804	1	Nut				



CYLINDER ASSEMBLY

0739-929

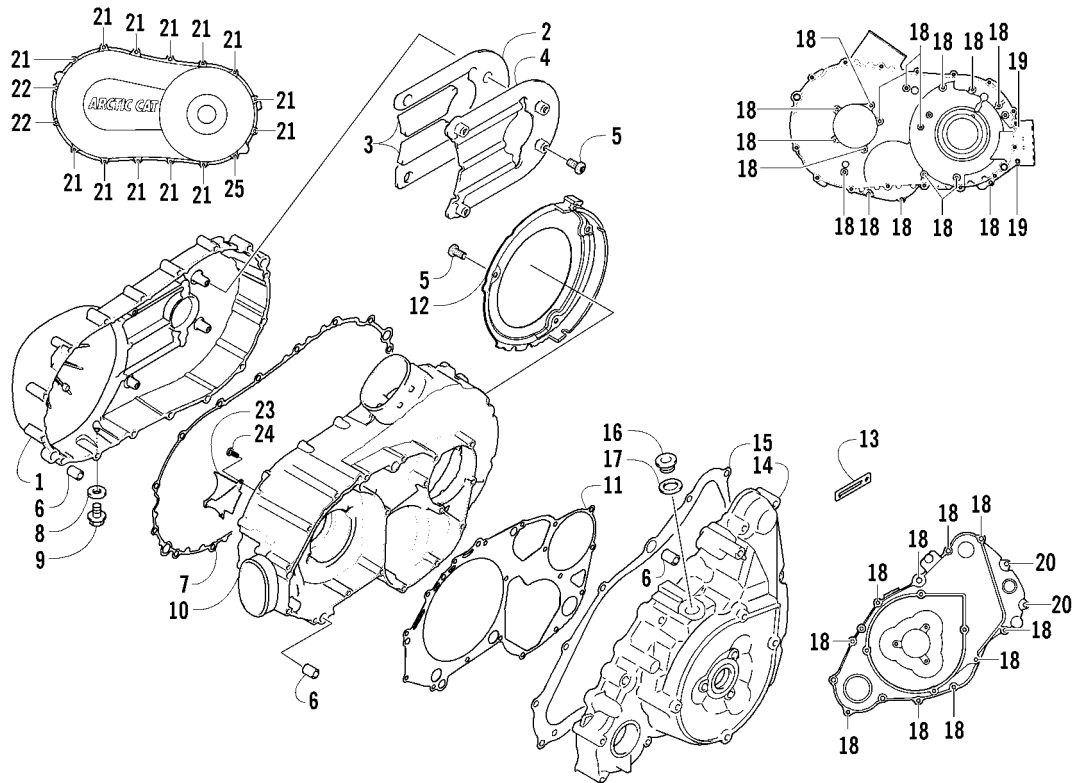
Ref.	Part No.	Qty.	Description	Ref.	Part No.	Qty.	Description
1	0804-016	1	Cylinder	5	0829-002	2	Pin, Dowel
2	0827-002	2	Bolt, Stud	6	0804-002	1	Union, Water Hose
3	8424-604	2	Nut	7	8468-612	1	Screw, Machine
4	0830-084	1	Gasket, Base	8	0830-007	1	O-Ring



CRANKCASE ASSEMBLY

0739-931

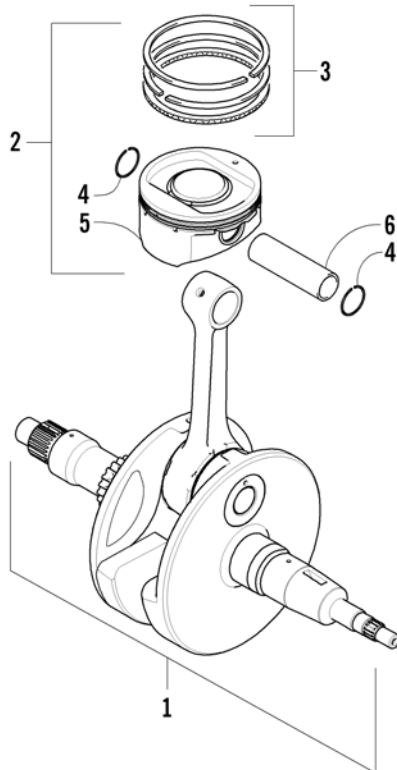
Ref.	Part No.	Qty.	Description	Ref.	Part No.	Qty.	Description
1	0801-056	1	Crankcase Assembly (inc. 2-16)	20	8468-655	3	Screw, Machine
2	8412-850	4	● Screw, Cap	21	8468-675	2	Screw, Machine
3	0801-002	2	● Plug	22	8412-860	1	Screw, Cap
4	0832-003	1	● Bearing	23	0826-017	1	Screw, Cap
5	0832-005	2	● Bearing	24	0830-008	2	Gasket
6	0832-013	1	● Bearing	25	0826-019	1	Screw, Cap
7	0832-014	2	● Bearing	26	0826-018	1	Screw, Cap
8	0832-002	1	● Bearing	27	8468-695	1	Screw, Machine
9	0832-012	1	● Bearing	28	0801-006	1	Housing, Secondary Shaft Bearing
10	0832-015	1	● Bearing	29	0826-105	3	Bolt
11	0822-052	1	● Seal, Countershaft	30	0801-003	1	Pipe, Breather
12	0826-100	2	● Screw, Cap	31	0826-038	1	Bolt, Breather Pipe
13	0822-010	2	● Retainer, Bearing	32	0812-028	2	Fitting, Oil Cooler
14	0801-028	1	● Pipe, Breather	33	0812-025	2	Bolt, Oil Cooler Fitting
15	0812-008	1	● Union, Oil Filter	34	0801-005	1	Stick, Oil Level
16	0830-035	1	● Seal, Driveshaft	35	0830-010	1	O-Ring, Oil Level Stick
17	0829-002	5	Pin, Dowel	36	8468-680	1	Screw, Machine
18	0829-003	1	Pin, Dowel	37	0812-026	4	Gasket
19	8468-645	4	Screw, Machine				



CLUTCH/V-BELT/MAGNETO COVER ASSEMBLY

0741-139

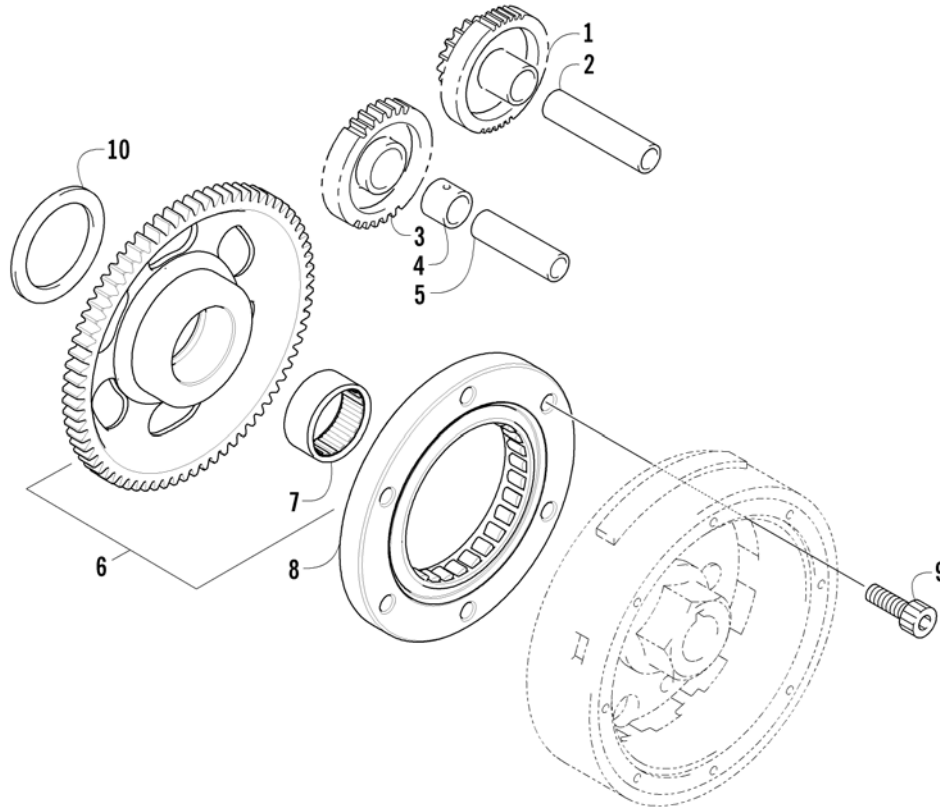
Ref.	Part No.	Qty.	Description	Ref.	Part No.	Qty.	Description
1	0806-014	1	Cover, V-Belt	14	0806-021	1	Cover, Magneto - Assembly
2	0806-015	1	Damper, V-Belt Cover	15	0830-128	1	Gasket, Magneto Cover
3	0806-016	2	Damper, V-Belt Cover	16	0806-022	1	Plug
4	0806-017	1	Plate, V-Belt Cover	17	0830-015	1	Washer, Crush
5	0826-029	7	Screw	18	8468-640	26	Screw, Machine
6	0829-002	4	Pin, Dowel	19	8468-675	2	Screw, Machine
7	0830-012	1	Gasket, V-Belt Cover	20	8468-625	2	Screw, Machine
8	0830-013	1	Washer, Crush	21	8468-645	13	Screw, Machine
9	8408-812	1	Screw, Cap	22	8468-655	2	Screw, Machine
10	0806-013	1	Cover, Clutch	23	0806-061	1	Deflector, Air - Clutch Cover
11	0830-116	1	Gasket, Clutch Cover	24	0623-914	3	Screw, Self-Tapping
12	0806-048	1	Seal, Air Intake	25	8470-645	1	Screw, Machine
13	3002-964	1	Clamp, Wire				



CRANKSHAFT ASSEMBLY

0739-932

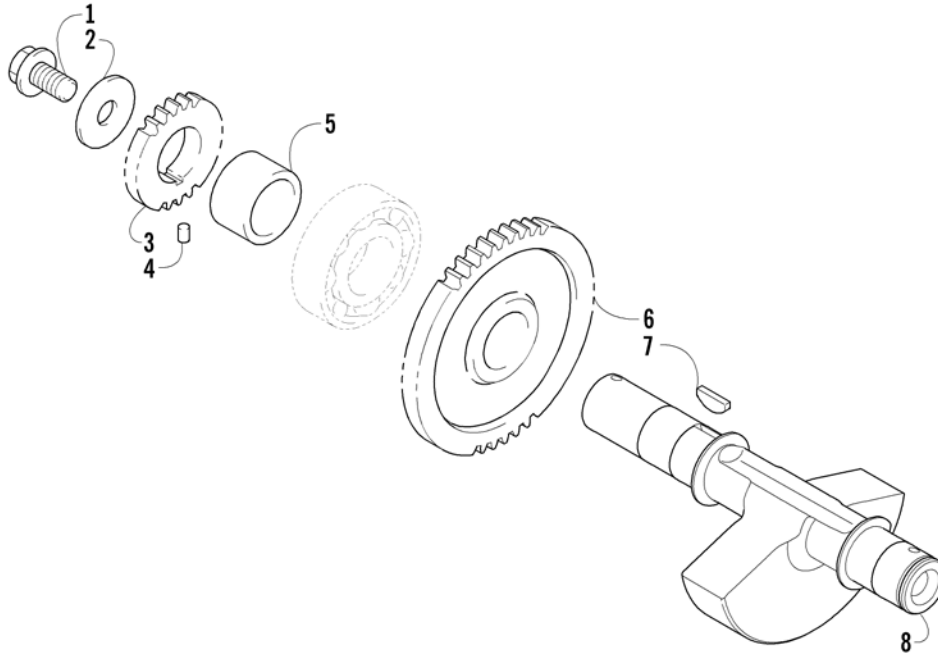
Ref.	Part No.	Qty.	Description	Ref.	Part No.	Qty.	Description
1	0805-032	1	Crankshaft Assembly	4	0831-001	2	● Circlip, Piston Pin
2	0805-035	1	Piston Set (inc. 3-6)	5	0805-010	1	● Piston
3	0805-011	1	● Ring, Piston - Set	6	0805-012	1	● Pin, Piston



STARTER CLUTCH ASSEMBLY

0739-940

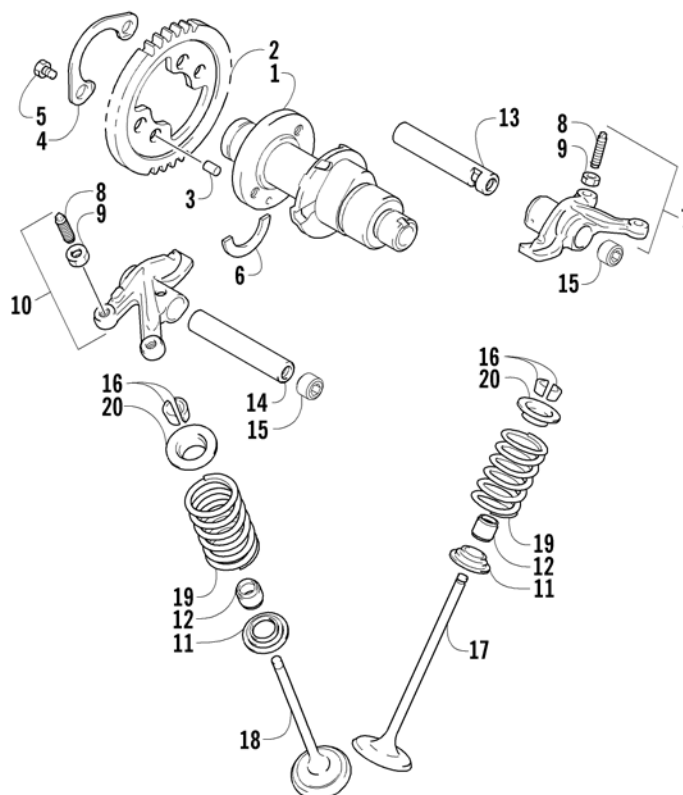
Ref.	Part No.	Qty.	Description	Ref.	Part No.	Qty.	Description
1	0815-001	1	Gear, Starter Idler - No. 1	6	0815-004	1	Gear, Starter Clutch (inc. 7)
2	0829-004	1	Shaft, Starter Gear	7	0832-004	1	● Bearing
3	0815-002	1	Gear, Starter Idler - No. 2	8	0802-035	1	Clutch, Starter
4	0815-003	1	Spacer, Starter Idler Gear No. 2	9	0826-069	6	Screw, Machine
5	0829-005	1	Shaft, Starter Gear	10	0828-002	1	Washer



CRANK BALANCER ASSEMBLY

0739-941

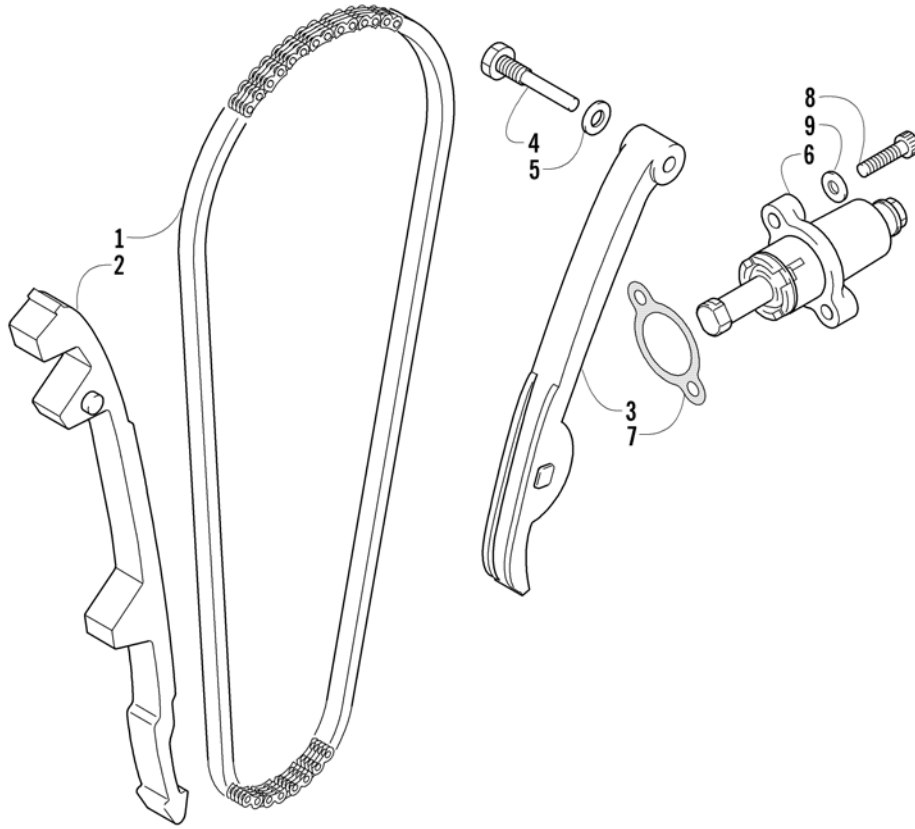
Ref.	Part No.	Qty.	Description	Ref.	Part No.	Qty.	Description
1	0826-033	1	Screw, Cap	5	0811-004	1	Spacer
2	0828-003	1	Washer	6	0811-002	1	Gear, Driven
3	0811-003	1	Gear, Oil Pump Drive	7	0829-006	1	Key
4	0829-007	1	Pin, Dowel	8	0811-017	1	Balancer, Crank



CAMSHAFT/VALVE ASSEMBLY

0739-942

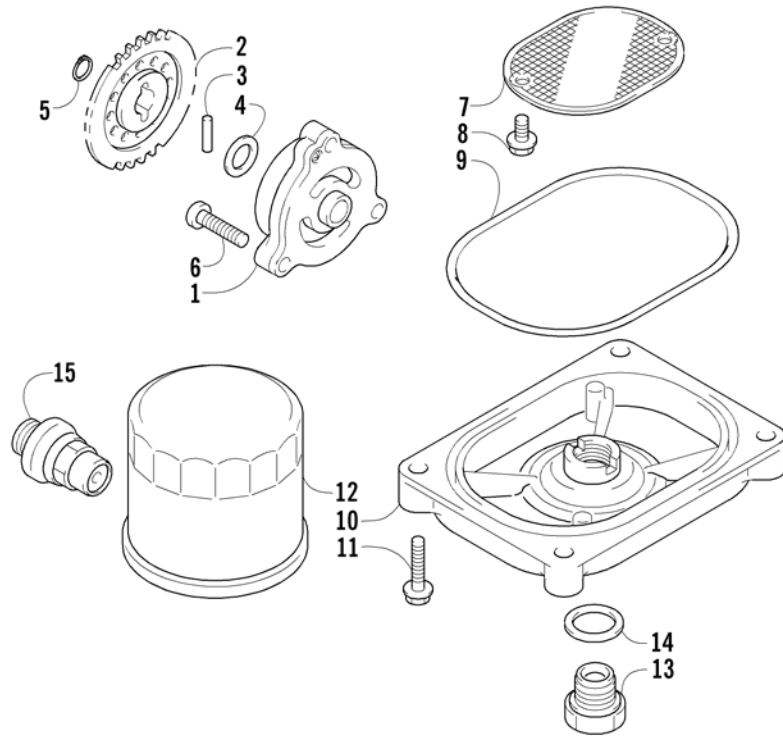
Ref.	Part No.	Qty.	Description	Ref.	Part No.	Qty.	Description
1	0809-128	1	Camshaft	11	0809-006	4	Seat, Spring - Valve
2	0809-002	1	Sprocket	12	0830-016	4	Seal, Oil
3	0829-008	1	Pin	13	0809-007	1	Shaft, Rocker Arm - Intake
4	0828-004	1	Washer	14	0809-008	1	Shaft, Rocker Arm - Exhaust
5	0826-034	2	Bolt	15	0831-041	2	Plug, Shaft
6	0809-003	1	C-Ring	16	0809-014	8	Keeper, Valve
7	0809-004	1	Arm, Valve Rocker - Intake (inc. two No. 8-9)	17	0809-039	2	Valve, Intake
8	0809-033	4	● Screw	18	0809-040	2	Valve, Exhaust
9	0827-007	4	● Nut	19	0809-012	4	Spring, Valve
10	0809-005	1	Arm, Valve Rocker - Exhaust (inc. two No. 8-9)	20	0809-013	4	Retainer, Spring



CAM CHAIN ASSEMBLY

0732-308

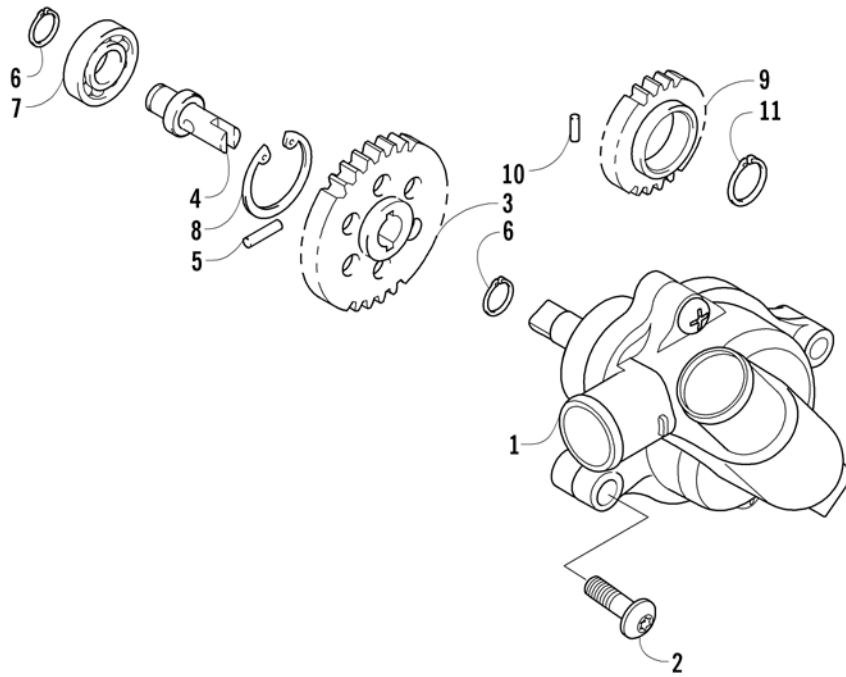
Ref.	Part No.	Qty.	Description	Ref.	Part No.	Qty.	Description
1	0810-001	1	Chain, Cam	6	0810-004	1	Adjuster, Tensioner - Assembly
2	0810-002	1	Guide, Chain	7	0830-018	1	Gasket
3	0810-003	1	Tensioner, Chain	8	8468-625	2	Screw, Machine
4	0826-036	1	Bolt	9	0830-107	2	Gasket
5	0830-025	1	Washer				



OIL FILTER/PUMP ASSEMBLY

0739-944

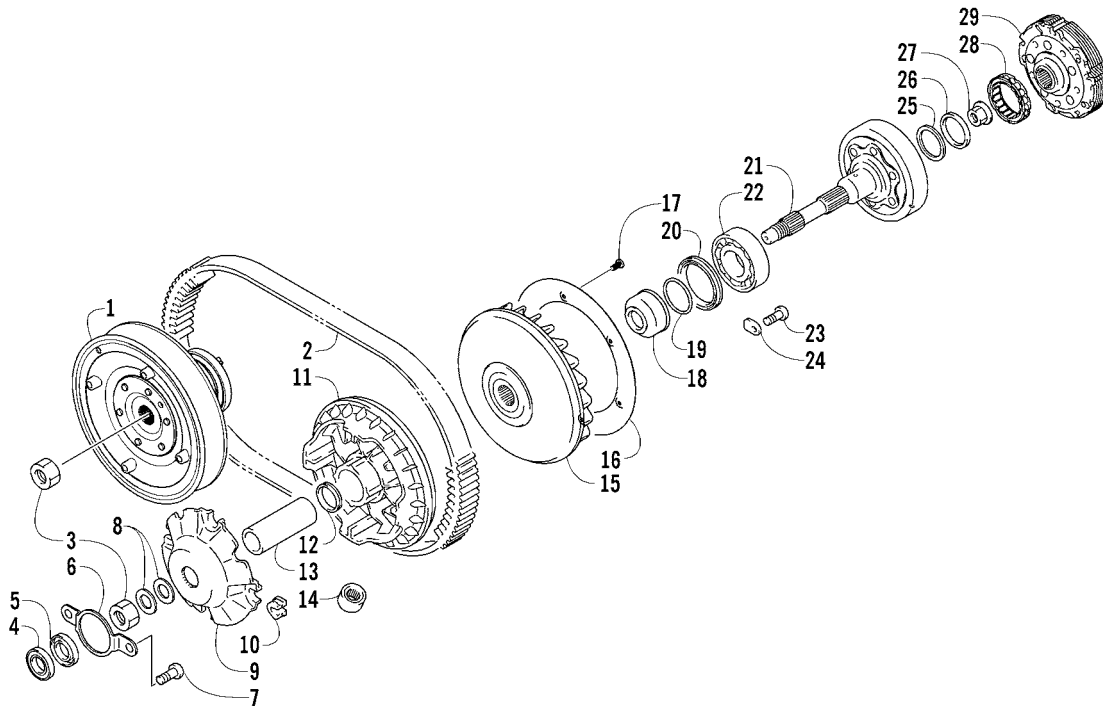
Ref.	Part No.	Qty.	Description	Ref.	Part No.	Qty.	Description
1	0812-023	1	Pump, Oil	9	0830-023	1	O-Ring
2	0812-002	1	Gear, Driven	10	0812-004	1	Cap, Oil Strainer
3	0829-009	1	Pin	11	8468-625	4	Screw, Machine
4	0828-007	1	Washer	12	0812-029	1	Filter, Oil
5	0831-002	1	Circlip	13	0812-006	1	Plug, Drain
6	0826-039	3	Screw, Cap	14	0830-017	1	Gasket, Drain Plug
7	0812-003	1	Strainer, Oil	15	0812-007	1	Valve, Oil Relief - Assembly
8	0826-040	2	Screw, Machine				



WATER PUMP ASSEMBLY

0739-945

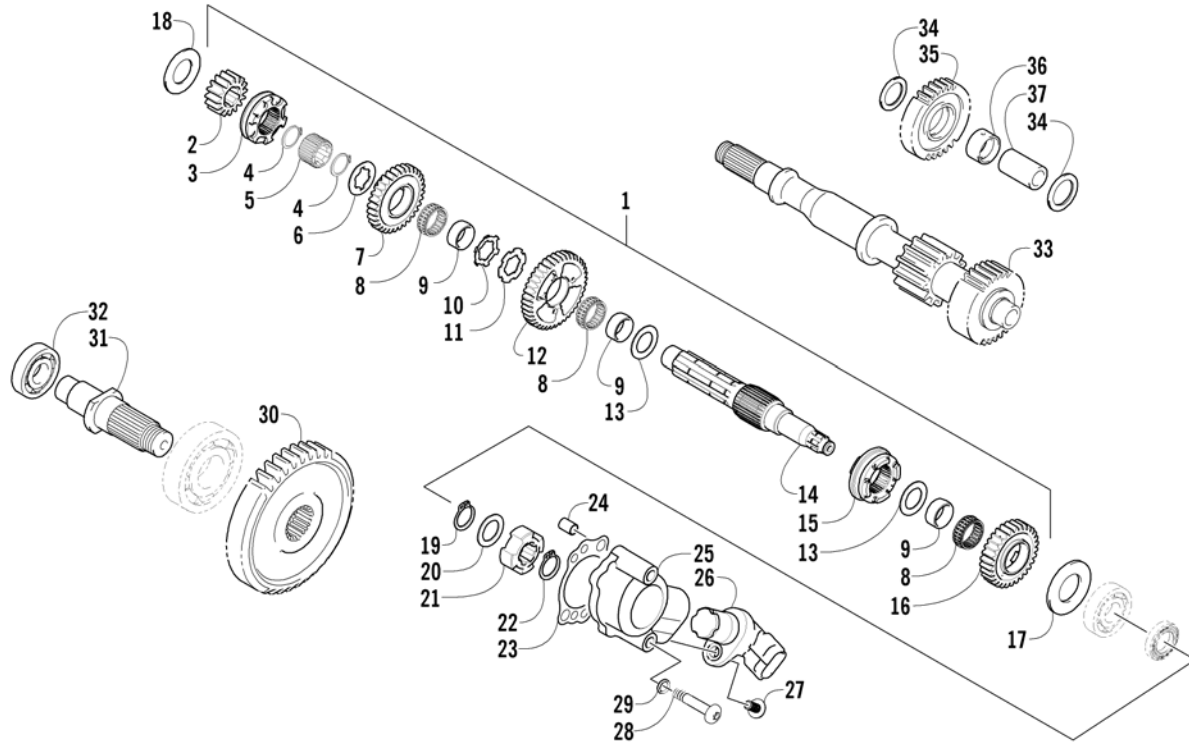
Ref.	Part No.	Qty.	Description	Ref.	Part No.	Qty.	Description
1	0813-001	1	Pump, Water - Assembly	7	0832-008	1	Bearing, Shaft
2	8468-665	2	Screw, Machine	8	0831-004	1	Circlip, Shaft Bearing
3	0813-004	1	Gear, Driven	9	0811-003	1	Gear, Water Pump Drive
4	0813-005	1	Shaft, Driven Gear	10	0829-007	1	Pin, Drive Gear
5	0829-009	1	Pin, Driven Gear	11	0831-005	1	Circlip, Drive Gear
6	0831-002	2	Circlip, Driven Gear				



TRANSMISSION ASSEMBLY

0741-055

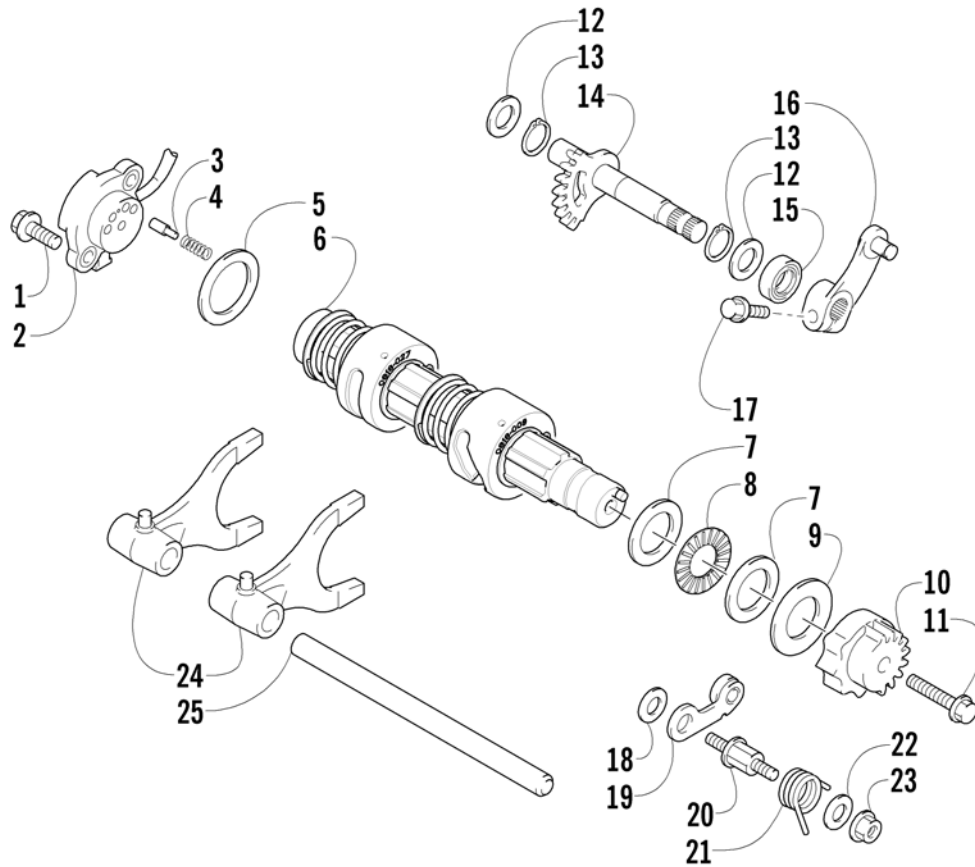
Ref.	Part No.	Qty.	Description	Ref.	Part No.	Qty.	Description
1	0823-153	1	Pulley, Driven - Assembly	16	0823-131	1	Shroud, Drive Face
2	0823-013	1	Belt, Drive	17	0623-914	6	Screw, Self-Tapping
3	0827-010	2	Nut	18	0823-015	1	Spacer, Fixed Drive Face
4	0832-010	1	Bearing	19	0470-531	1	O-Ring
5	0823-016	1	Seal, Clutch Housing - Right	20	0830-034	1	Seal, Clutch Housing - Right
6	0823-020	1	Retainer, Bearing	21	0823-096	1	Housing, Clutch
7	0826-031	2	Screw	22	0832-009	1	Bearing
8	0822-046	1	Shim	23	0826-029	2	Screw, Bearing Retainer
9	0823-008	1	Plate, Movable Drive Face	24	0822-010	2	Retainer, Bearing
10	0823-010	4	Damper, Movable Drive Face	25	0828-075	1	Shim
11	0823-154	1	Face, Movable Drive (inc. 12)	26	0823-017	1	Seal, Clutch Housing - Left
12	0830-032	2	+ Seal, Movable Drive Face	27	0827-011	1	Nut
13	0823-149	1	Spacer, Movable Drive Face	28	0823-018	1	Clutch, One-Way
14	0823-147	8	Roller, Movable Drive Face	29	0823-098	1	Clutch, Centrifugal - 6 Plate
15	0823-001	1	Face, Fixed Drive				



SECONDARY TRANSMISSION ASSEMBLY

0739-954

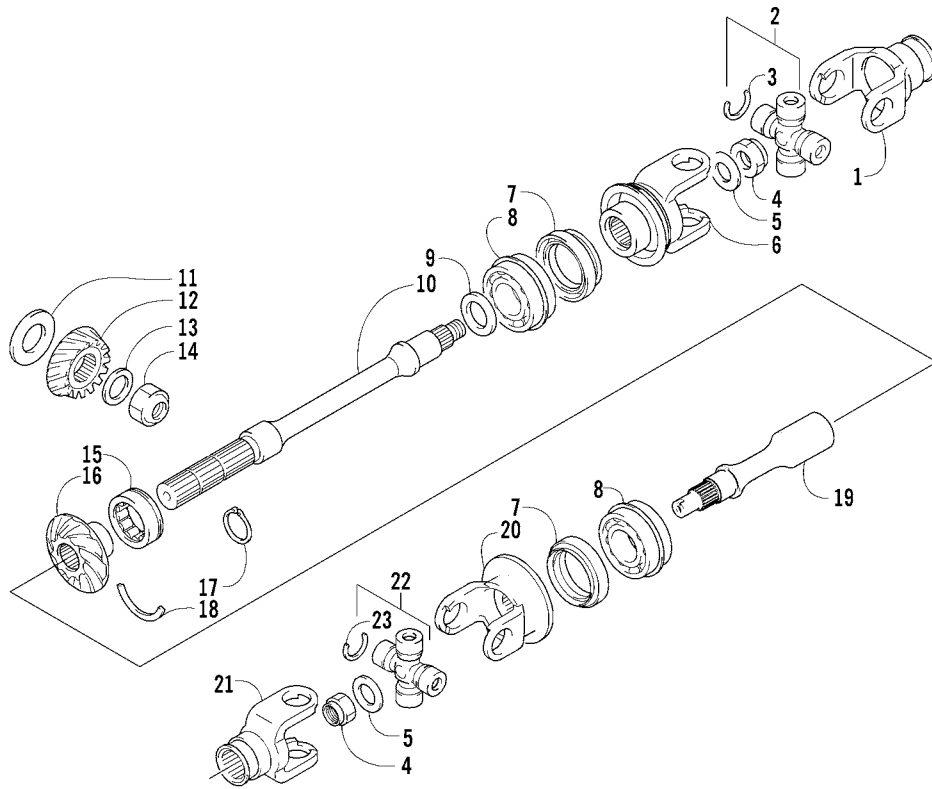
Ref.	Part No.	Qty.	Description	Ref.	Part No.	Qty.	Description
1	0822-048	1	Countershaft Assembly (inc. 2-16)	20	0828-069	1	Washer, Thrust
2	0822-008	1	● Gear, Drive - No. 2	21	0822-050	1	Trigger, Speed Sensor
3	0822-014	1	● Dog, Reverse Driven Gear	22	0831-040	1	Ring, Retaining
4	0831-011	2	● Circlip	23	0830-129	1	Gasket
5	0822-045	1	● Spacer, Reverse Driven Gear	24	0829-023	2	Pin, Dowel
6	0828-008	1	● Washer	25	0822-049	1	Housing, Speed Sensor
7	0822-013	1	● Gear, Reverse Driven	26	0824-015	1	Sensor, Speed
8	0832-011	3	● Bearing	27	8468-620	1	Screw, Machine
9	0822-005	3	● Bushing	28	8468-645	2	Screw, Machine
10	0828-014	1	● Washer, Lock	29	0830-107	2	Seal, Fastener
11	0828-015	1	● Washer, Lock	30	0822-009	1	Gear, Driven - No. 2
12	0822-004	1	● Gear, Driven - Low	31	0822-037	1	Shaft, Output
13	0822-046	2	● Washer, Driven Gear	32	0832-014	1	Bearing
14	0822-003	1	● Countershaft	33	0822-001	1	Driveshaft
15	0822-007	1	● Dog, Sliding	34	0828-016	2	Washer, Reverse Idle Gear
16	0822-006	1	● Gear, Driven - High	35	0822-011	1	Gear, Reverse Idle
17	0828-011	1	Washer, Drive Gear - Left	36	0822-012	1	Bushing, Reverse Idle Gear
18	0828-010	1	Washer, Drive Gear - Right	37	0822-015	1	Shaft, Reverse Idle
19	0831-039	1	Ring, Retaining				



GEAR SHIFTING ASSEMBLY

0739-957

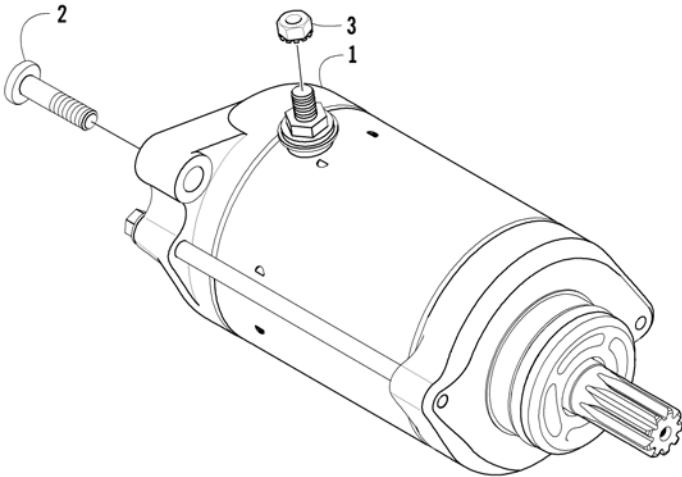
Ref.	Part No.	Qty.	Description	Ref.	Part No.	Qty.	Description
1	8470-520	2	Screw, Machine	14	0818-007	1	Shaft, Sub-Gear Shift
2	0818-049	1	Base, Gear Shift - Assembly	15	0830-044	1	Seal, Sub-Gear Shift Shaft
3	0818-013	2	Contact	16	0818-014	1	Arm, Select
4	0818-017	2	Spring	17	8468-620	1	Screw, Machine
5	0828-040	1	Washer, Shift Shaft	18	0828-038	1	Washer, Cam Stopper
6	0818-046	1	Shaft, Gear Shift - Assembly	19	0818-002	1	Stopper, Cam
7	0828-067	2	Washer, Shift Shaft	20	0818-004	1	Support, Cam Stopper
8	0832-034	1	Bearing	21	0818-028	1	Spring, Cam Stopper
9	0828-037	1	Washer, Gear Shift Cam Plate	22	0828-035	1	Washer, Cam Stopper Spring
10	0818-005	1	Plate, Gear Shift Cam	23	8424-602	1	Nut, Cam Stopper Spring
11	0826-006	1	Bolt, Gear Shift Cam Plate	24	0818-045	2	Fork, Shift
12	0828-036	2	Washer, Sub-Gear Shift Shaft	25	0818-006	1	Shaft, Shift Fork
13	0831-010	2	Circlip, Sub-Gear Shift Shaft				



SECONDARY DRIVE ASSEMBLY

0740-707

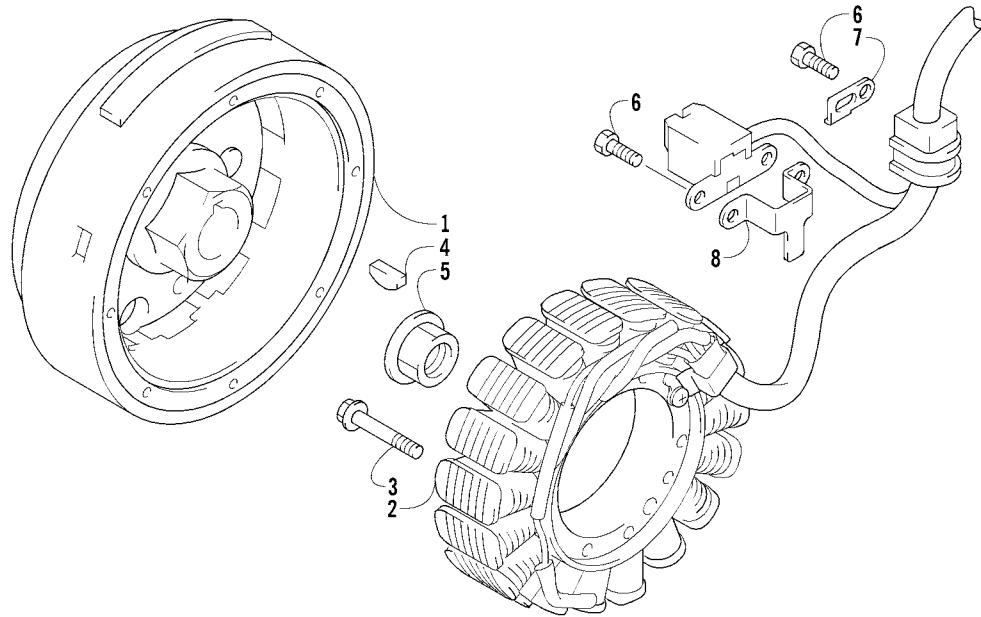
Ref.	Part No.	Qty.	Description	Ref.	Part No.	Qty.	Description
1	0502-829	1	Yoke, Propeller Shaft Joint	12	0819-001	1	Gear, Secondary Drive
2	1402-462	1	Joint, Universal - Set (inc. 3)	13	0828-019	1	Washer
3	0423-395	4	● Retainer, Cross	14	0827-012	1	Nut
4	0827-013	2	Nut, Rear Output Joint	15	0832-016	1	Bearing, Driven Gear
5	0828-020	2	Washer, Rear Output Flange	16	0819-002	1	Gear, Secondary Driven
6	0502-828	1	Yoke, Drive Output - Front	17	0831-008	1	Circlip, Secondary Driven Gear
7	0830-043	2	Seal, Oil - Driven Shaft	18	0819-011	1	Ring, Driven Bearing
8	0832-017	2	Bearing, Driven Shaft	19	0819-053	1	Shaft, Secondary Driven - Rear
9	0828-021	AR	Shim, 25 x 34 x 0.25 mm	20	0819-061	1	Yoke, Drive Output
	0828-022	AR	Shim, 25 x 34 x 0.30 mm	21	0819-063	1	Yoke, Propeller Shaft
	0828-023	AR	Shim, 25 x 34 x 0.70 mm	22	1402-463	1	Joint, Universal - Set (inc. 23)
	0828-024	AR	Shim, 25 x 34 x 0.90 mm	23	0423-450	4	● Retainer, Universal Joint
	0828-025	AR	Shim, 25 x 34 x 0.95 mm				
	0828-026	AR	Shim, 25 x 34 x 1.00 mm				
	0828-027	AR	Shim, 25 x 34 x 1.05 mm				
	0828-028	AR	Shim, 25 x 34 x 1.10 mm				
	0828-029	AR	Shim, 25 x 34 x 1.15 mm				
10	0819-003	1	Shaft, Secondary Driven - Front				
11	0828-030	AR	Shim, 24 x 34 x 0.25 mm				
	0828-031	AR	Shim, 24 x 34 x 0.30 mm				
	0828-032	AR	Shim, 24 x 34 x 0.35 mm				
	0828-033	AR	Shim, 24 x 34 x 0.90 mm				
	0828-018	AR	Shim, 24 x 34 x 0.95 mm				
	0828-062	AR	Shim, 24 x 34 x 1.00 mm				
	0828-063	AR	Shim, 24 x 34 x 1.05 mm				
	0828-064	AR	Shim, 24 x 34 x 1.10 mm				
	0828-065	AR	Shim, 24 x 34 x 1.15 mm				



STARTER MOTOR ASSEMBLY

0739-958

Ref.	Part No.	Qty.	Description	Ref.	Part No.	Qty.	Description
1	0825-001	1	Motor, Starter - Assembly	3	0623-038	1	Nut w/Washer
2	8468-630	2	Screw, Machine				



MAGNETO ASSEMBLY

0737-780

Ref.	Part No.	Qty.	Description	Ref.	Part No.	Qty.	Description
1	0802-036	1	Rotor/Flywheel	5	0827-014	1	Nut
2	0802-037	1	Stator - Assembly	6	8470-510	3	Screw, Machine
3	0826-102	3	Screw, Machine	7	0802-015	1	Clamp - No. 1
4	0829-012	1	Key	8	0802-016	1	Clamp - No. 2

RELATED ITEMS

2006 Prowler XT

Red - (Model No. U2006P2S4BUSR)

Green - (Model No. U2006P2S4BUSG)

Cat Green - (Model No. U2006P2S4BUSZ)

0436-801	Box Lift	0436-715	Hitch Ball (2 in.)
0436-772	Bumper, Front	2257-464	Manual, Illustrated Parts
0436-820	Cab Enclosure - Complete	2257-301	Manual, Operator's (E)
0436-818	Cab Enclosure Doors	2257-320	Manuel d'utilisation (F)
0436-817	Cab Enclosure Rear Panel	0436-831	Mower - Finish (42 in.)
0436-816	Cab Enclosure Roof	0436-830	Mower - Finish (63 in.)
0436-839	Cab Enclosure Support - Roof/Windshield	0436-832	Mower - Rough-Cut (42 in.)
0436-815	Cab Enclosure Windshield	0436-796	SpeedRack Mount Rail
0436-035	Engine Heater	0436-836	Sprayer - 45 gal.
0436-800	Gun Scabbard Mount	0436-821	Winch, 3000 lb
0436-608	Hitch	0436-799	Windscreen
0436-716	Hitch Ball (1 7/8 in.)		

■NOTE: For a complete list of related items, refer to the current accessory catalog.

